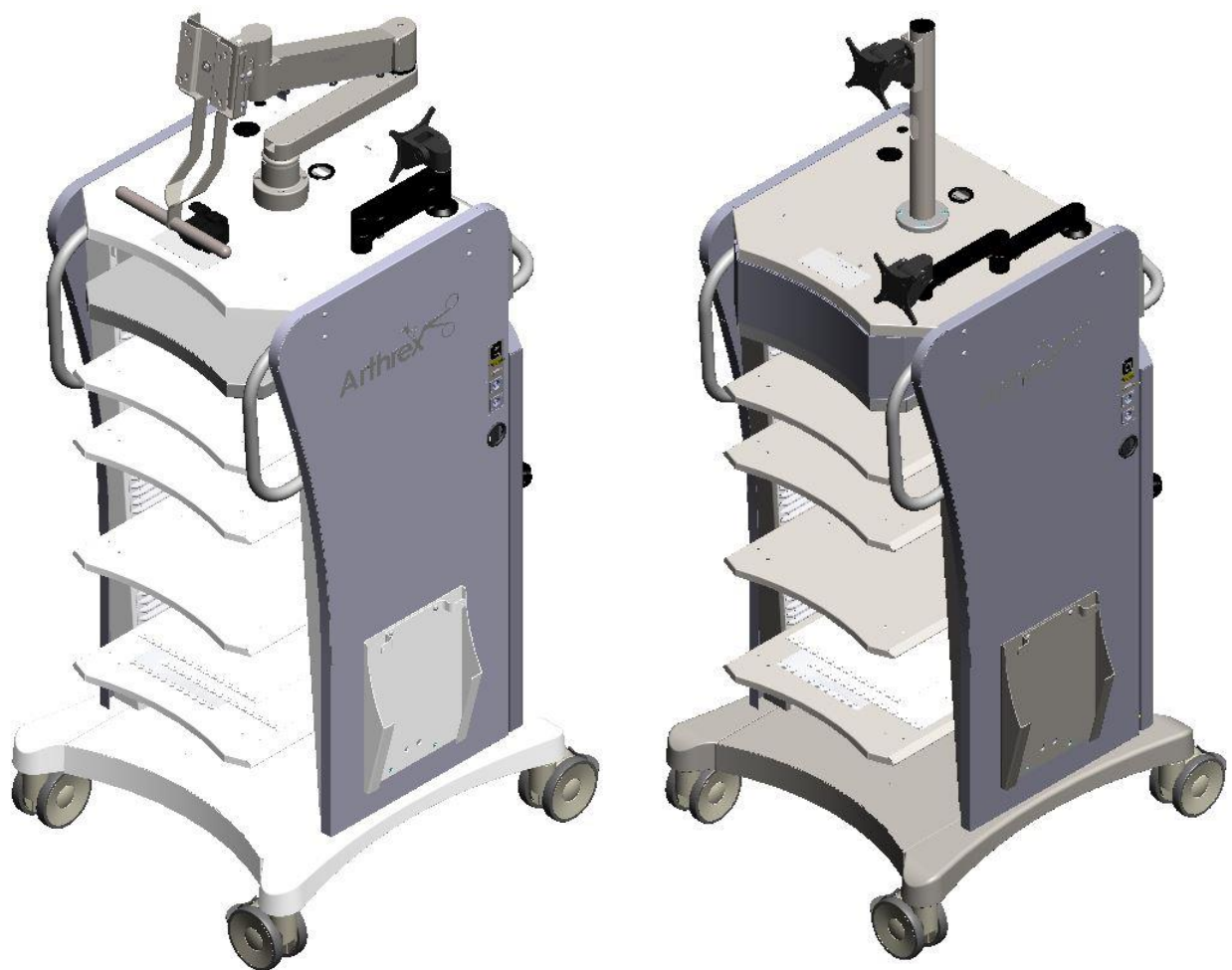


**(002317-00 DOMESTIC)
(002386-00 DOMESTIC POST MOUNT)
(002322-00 INTERNATIONAL)
ARTHREX SYNERGY VIDEO CART
DOMESTIC AND INTERNATIONAL
VERSION II PARTS**

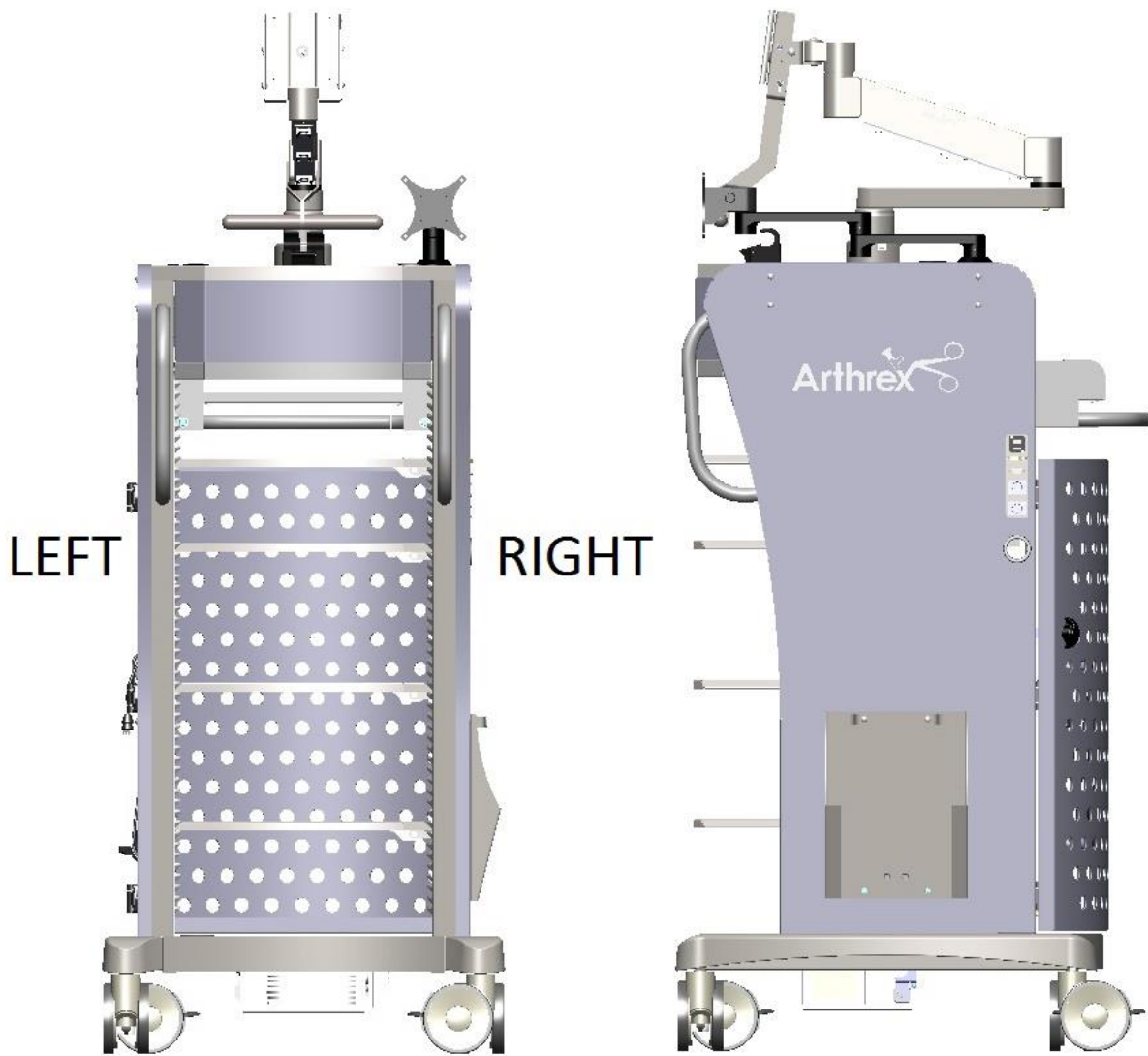


CONTENTS

Page Description

2. Video Cart Domestic (002317-00), International (002322-00)
3. Video Cart Domestic Post Mount (002386-00)
4. Power Strip Domestic (304810-00), International (305008-00)
5. Side Panel Left (304902-01)
6. Side Panel Right (304903-01)
7. Rear Handle (304911-01)
8. Rear Door (304913-00)
9. Front Cover (304937-00)
10. Patch Panel Assembly (305102-00)
11. IV Bag Hanger, LH *as facing cart* (002352-00)
12. Adjustable Shelf (304909-00)
13. CO2 Tank Assembly Kit (002321-00)
14. Pull-Out Pump Shelf; Version II (002318-00)
15. Front Handle (Left/Right) (304955-01)
16. Foot Pedal Holder Assembly (305344-00)
17. Fixed Printer Shelf (304920-01)
18. International Transformer (304252-00)
19. Grommet Kit (002356-00)
20. Casters, Locking (703412-15)
21. Power Cables, Domestic (002363-00)
22. Boom Arm (304856-03)
23. Home Position Bracket (304871-00)
24. Drawer w/o Shelf (303914-00)
25. Keyboard Tray w/o Shelf (303924-00)
26. Transformer Domestic, 120 VAC (002305-00)
27. Monitor Arm Handle Kit (002340-00)
28. Logo (505050-00)/ Logo, Front (505051-00)
29. Touch-up Paint Gray (702465-20)/ Touch-up Paint Nickel (702481-20)
30. Cable Kit (304373-00)
31. Secondary Arm (304837-00)
32. Hardware Kit, Hinges (305304-00)
33. Post Mount (305297-00)

VIDEO CART
Domestic (002317-00)
International (002322-00)

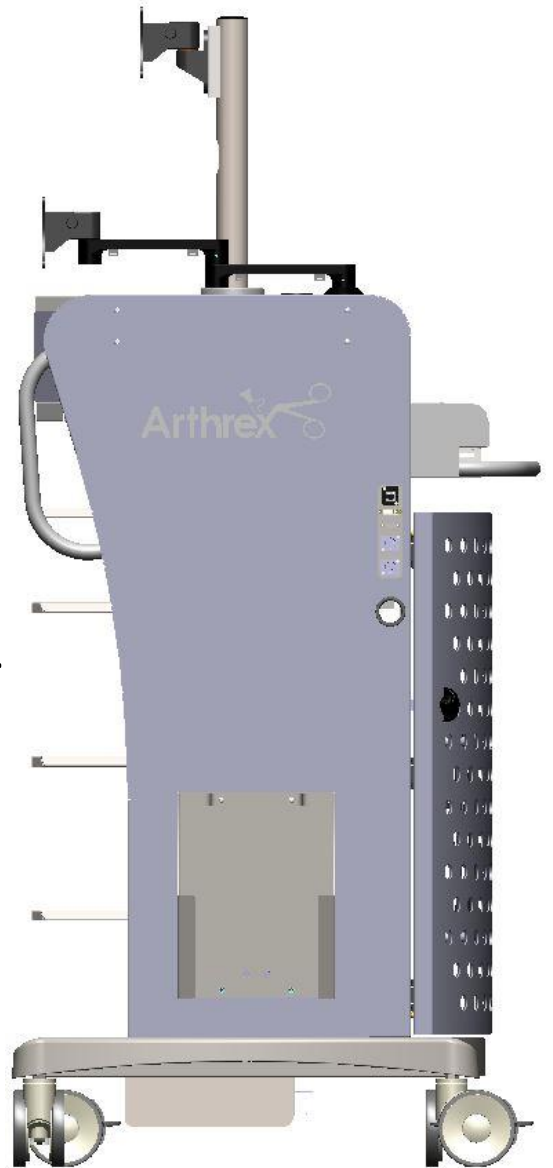


VIDEO CART
Domestic Post Mount (002386-00)

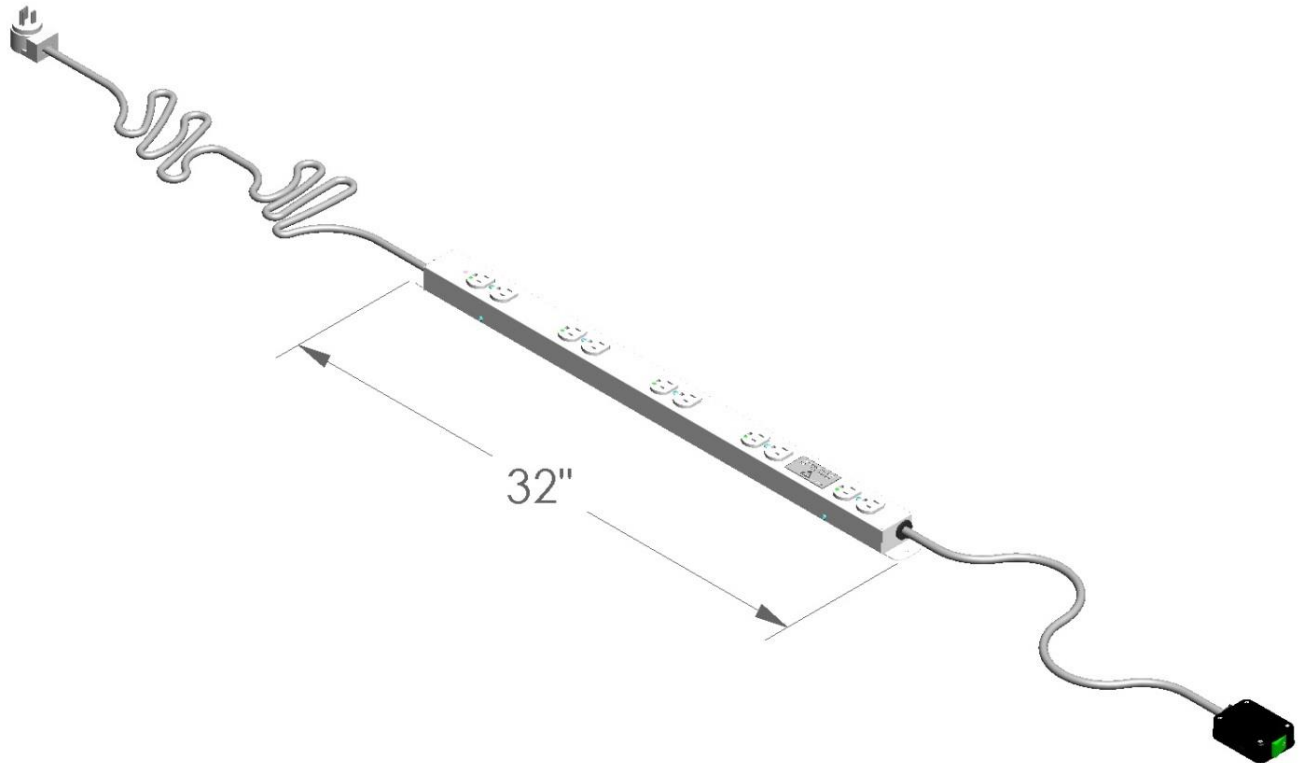
LEFT



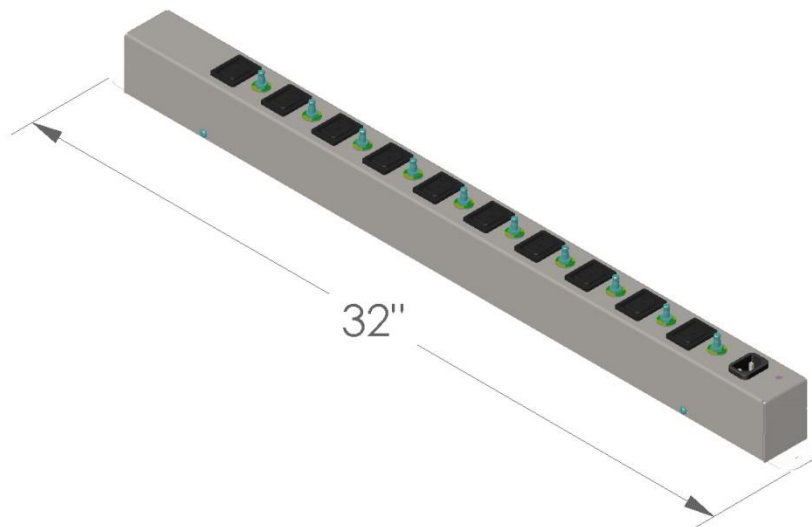
RIGHT



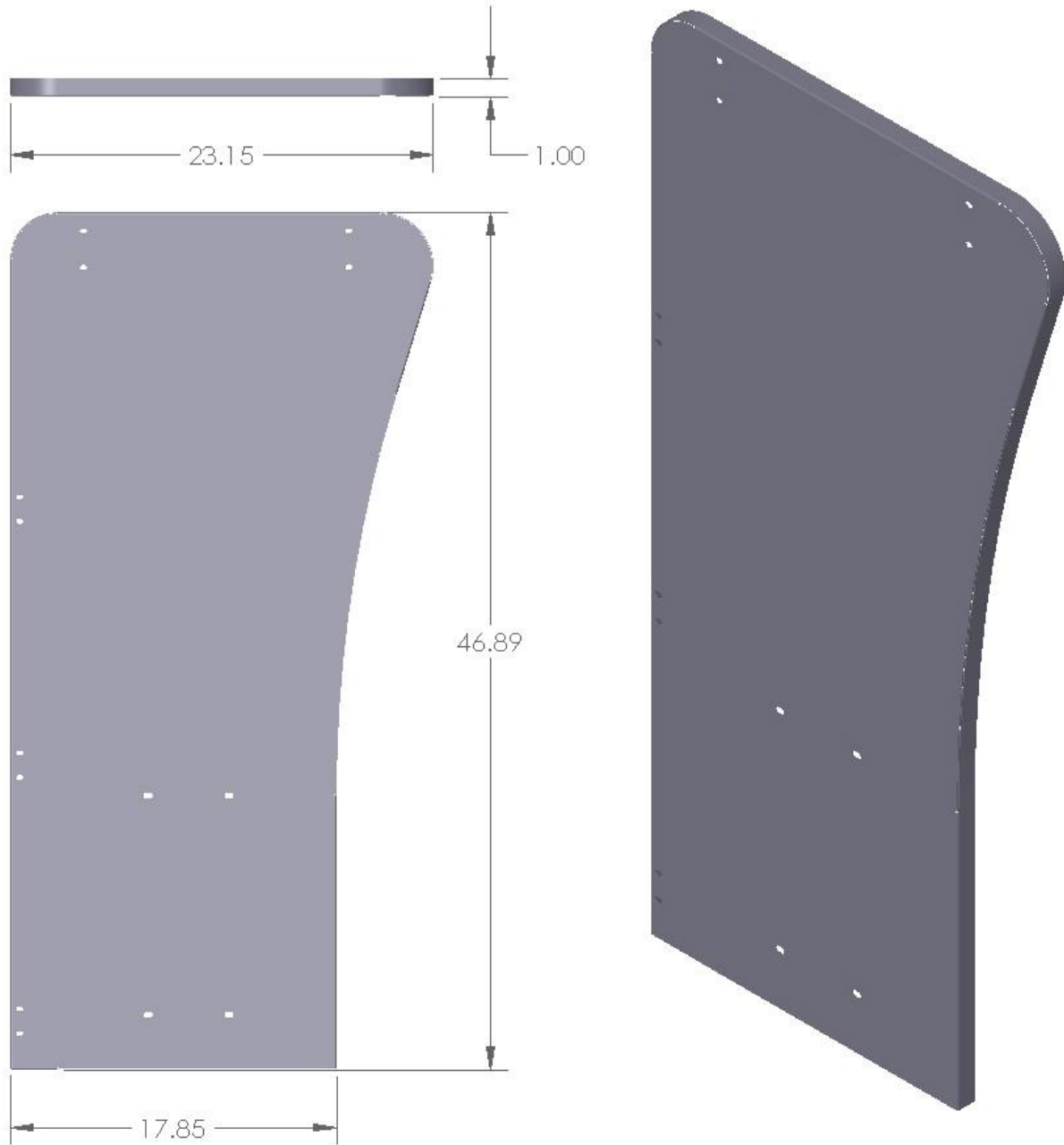
POWER STRIP, DOMESTIC
(304810-00)



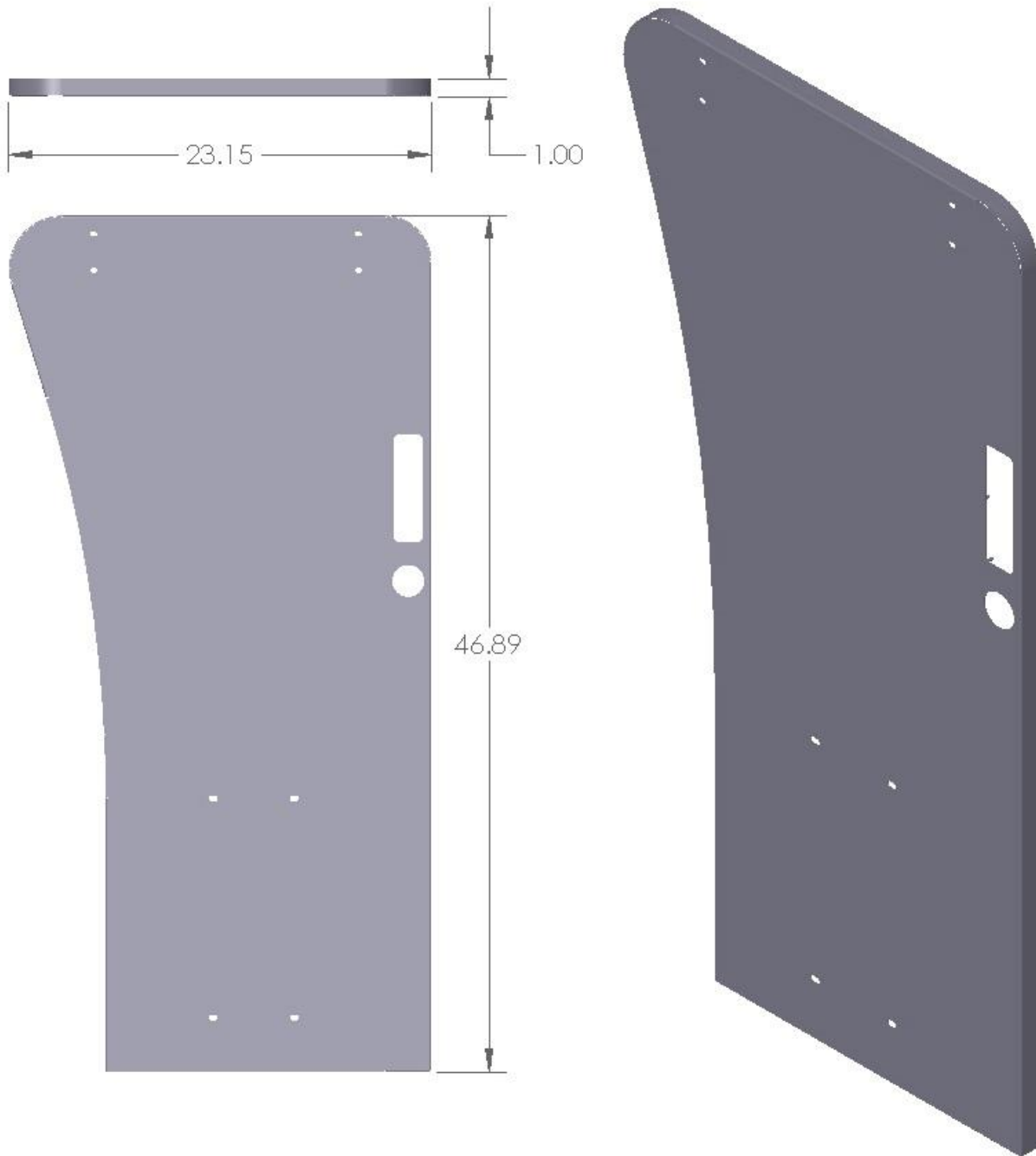
POWER STRIP, INTERNATIONAL
(305008-00)



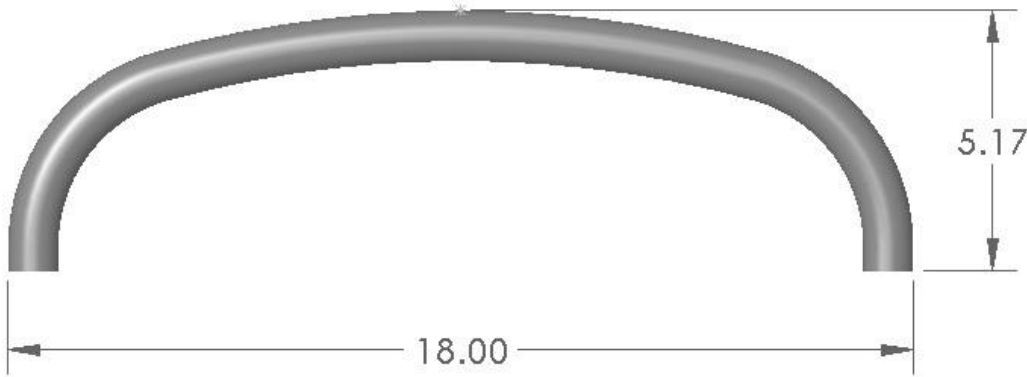
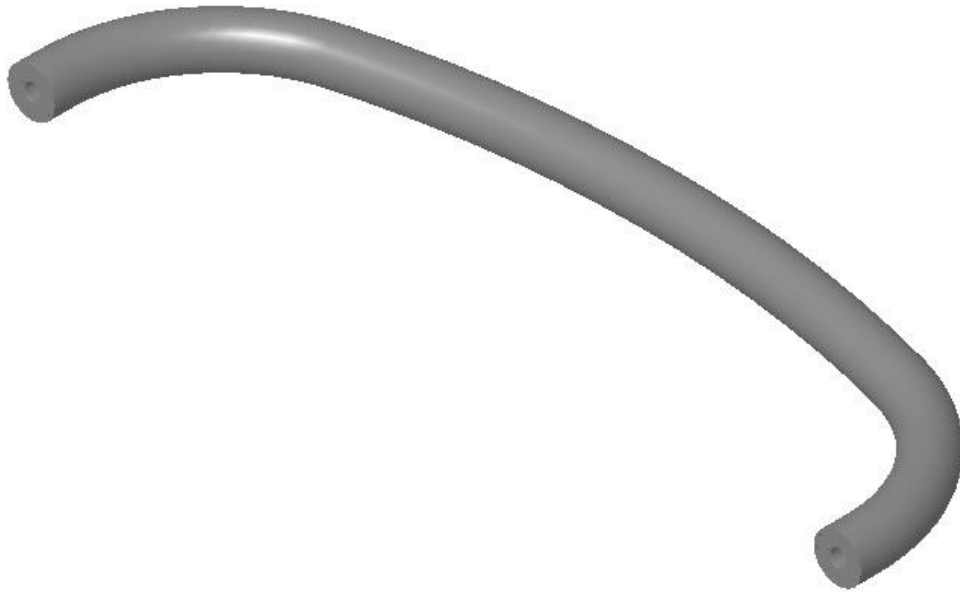
SIDE PANEL LEFT
(304902-01)



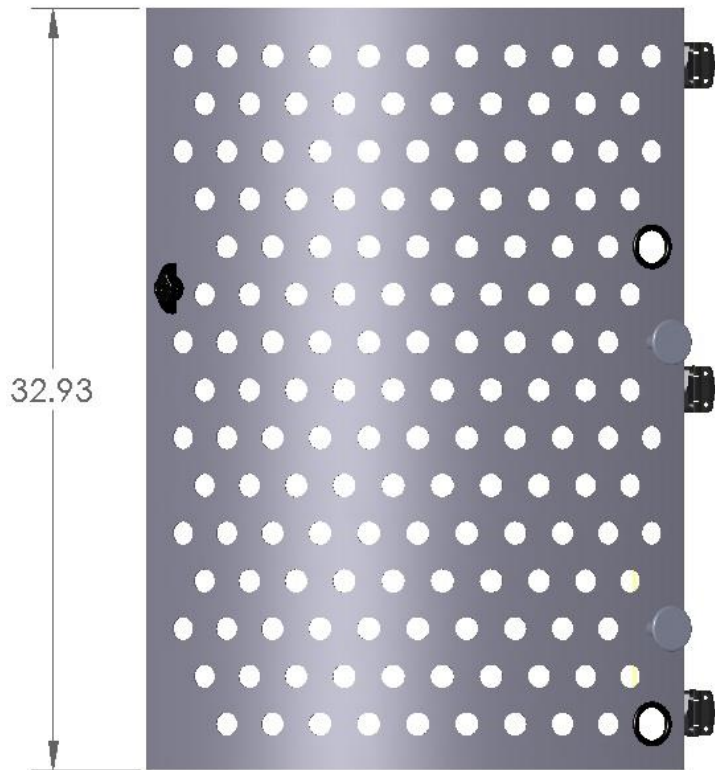
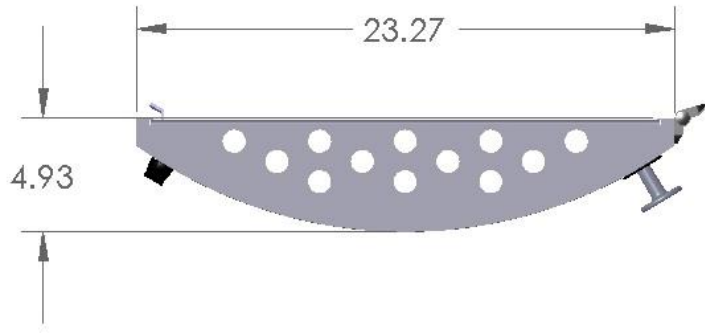
SIDE PANEL RIGHT
(304903-01)



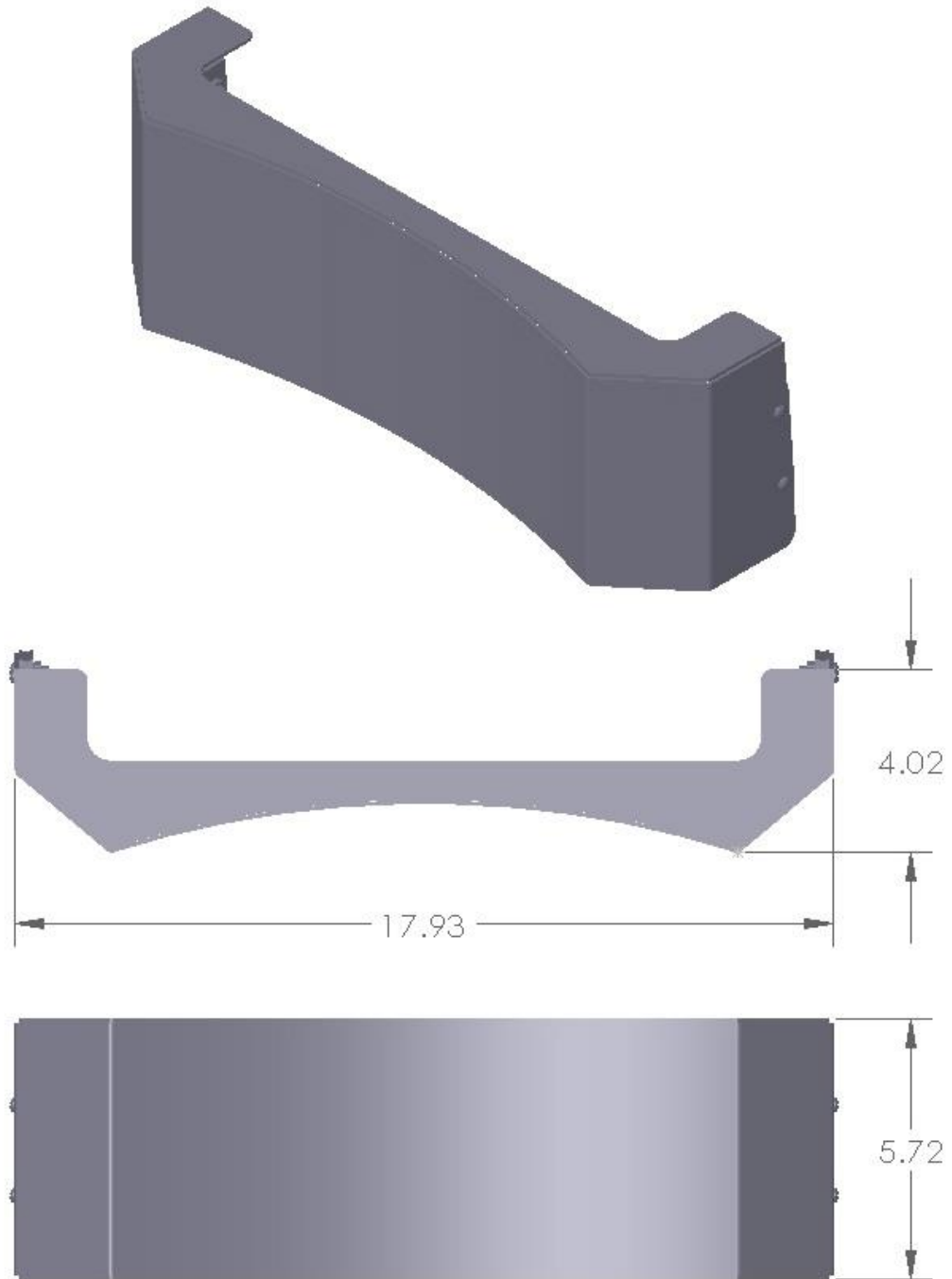
REAR HANDLE
(304911-01)



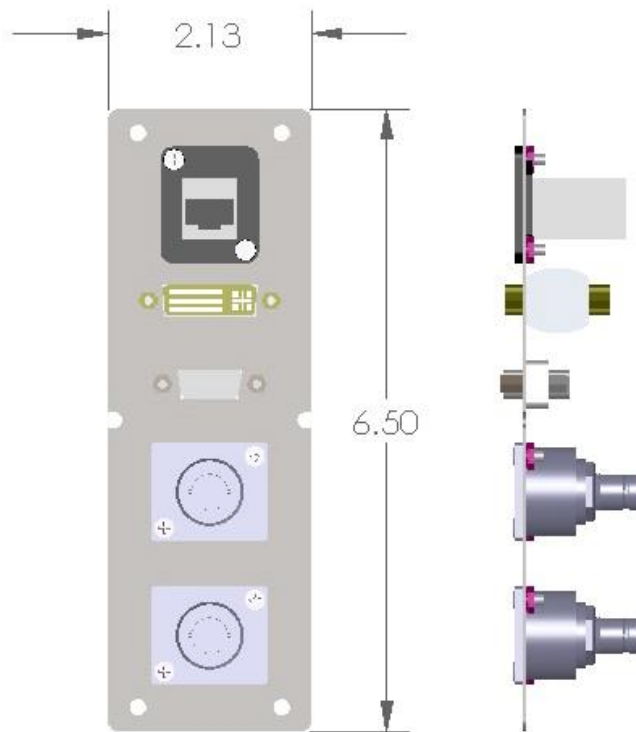
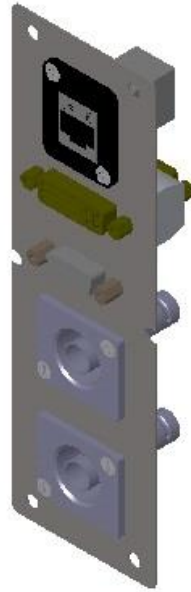
REAR DOOR (304913-00)



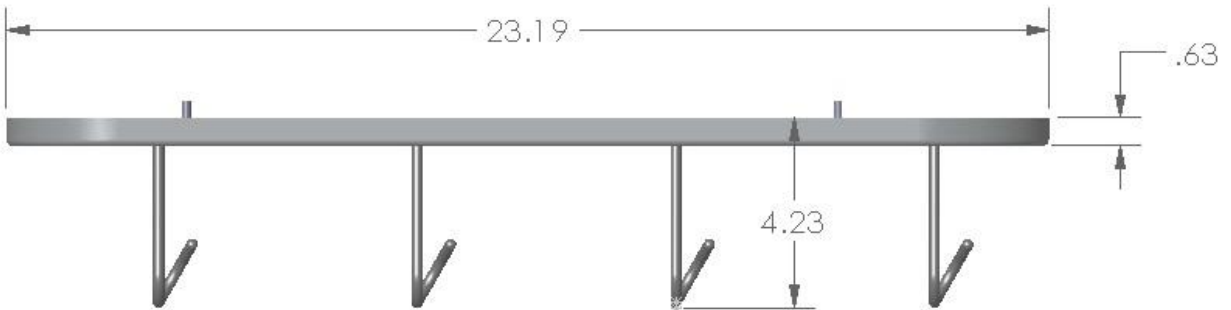
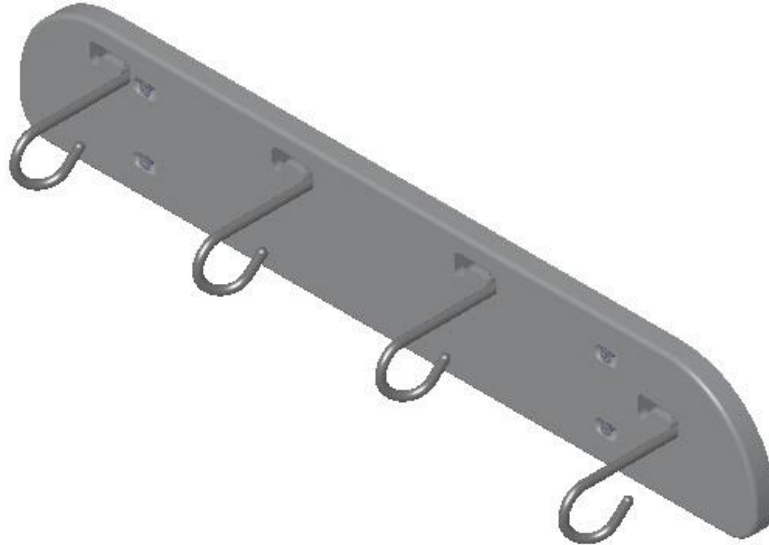
FRONT COVER
(304937-00)



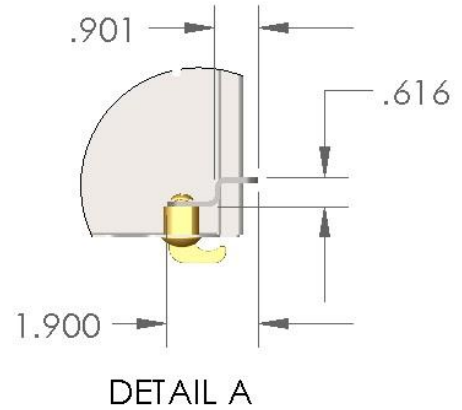
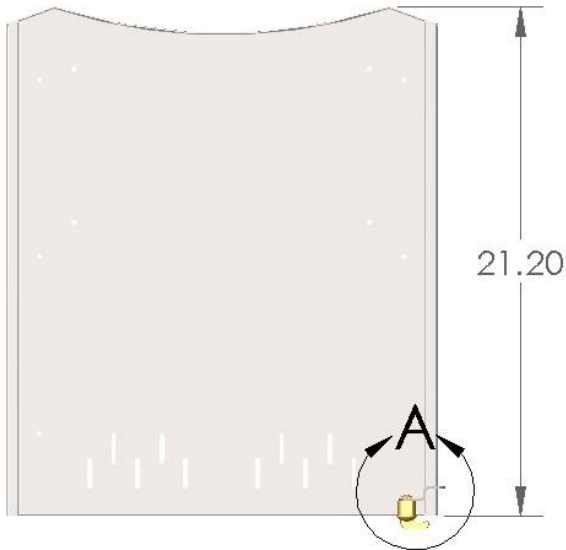
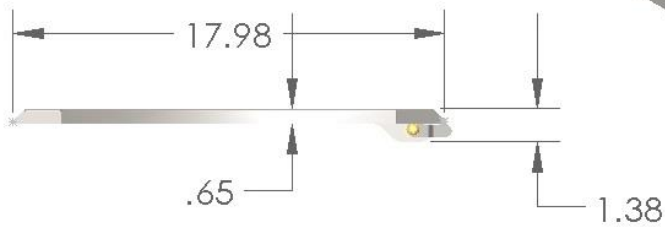
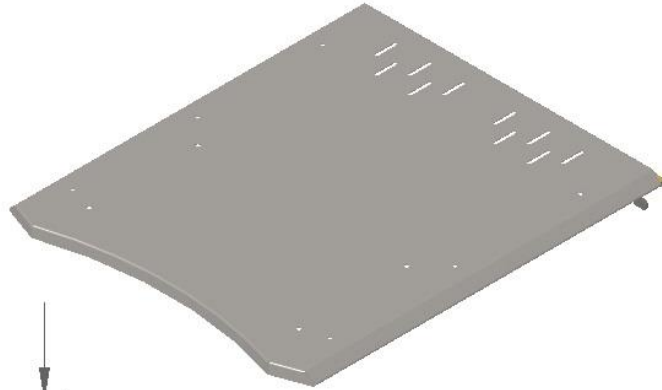
PATCH PANEL ASSEMBLY (305102-00)



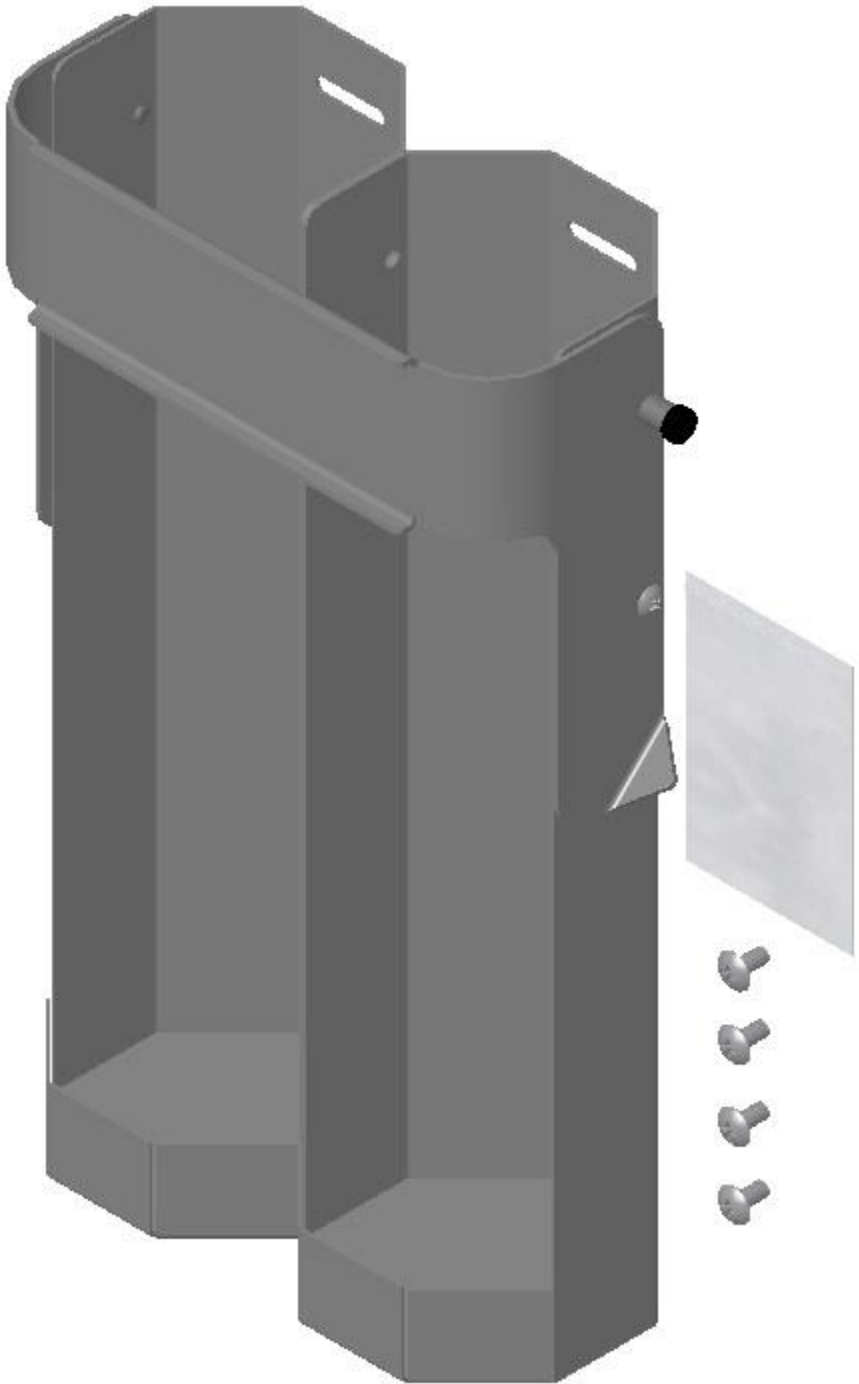
IV BAG HANGER, LH
(002352-00)



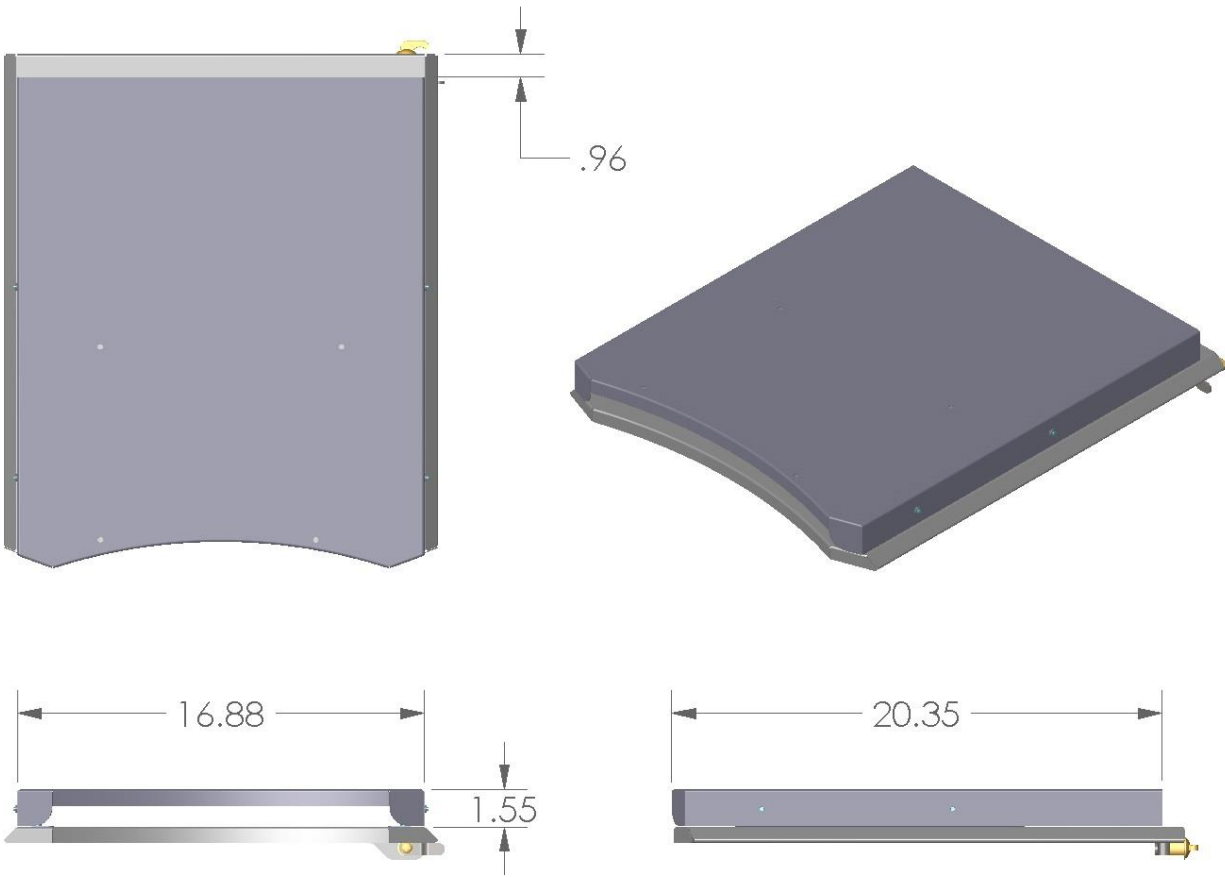
ADJUSTABLE SHELF (304909-00)



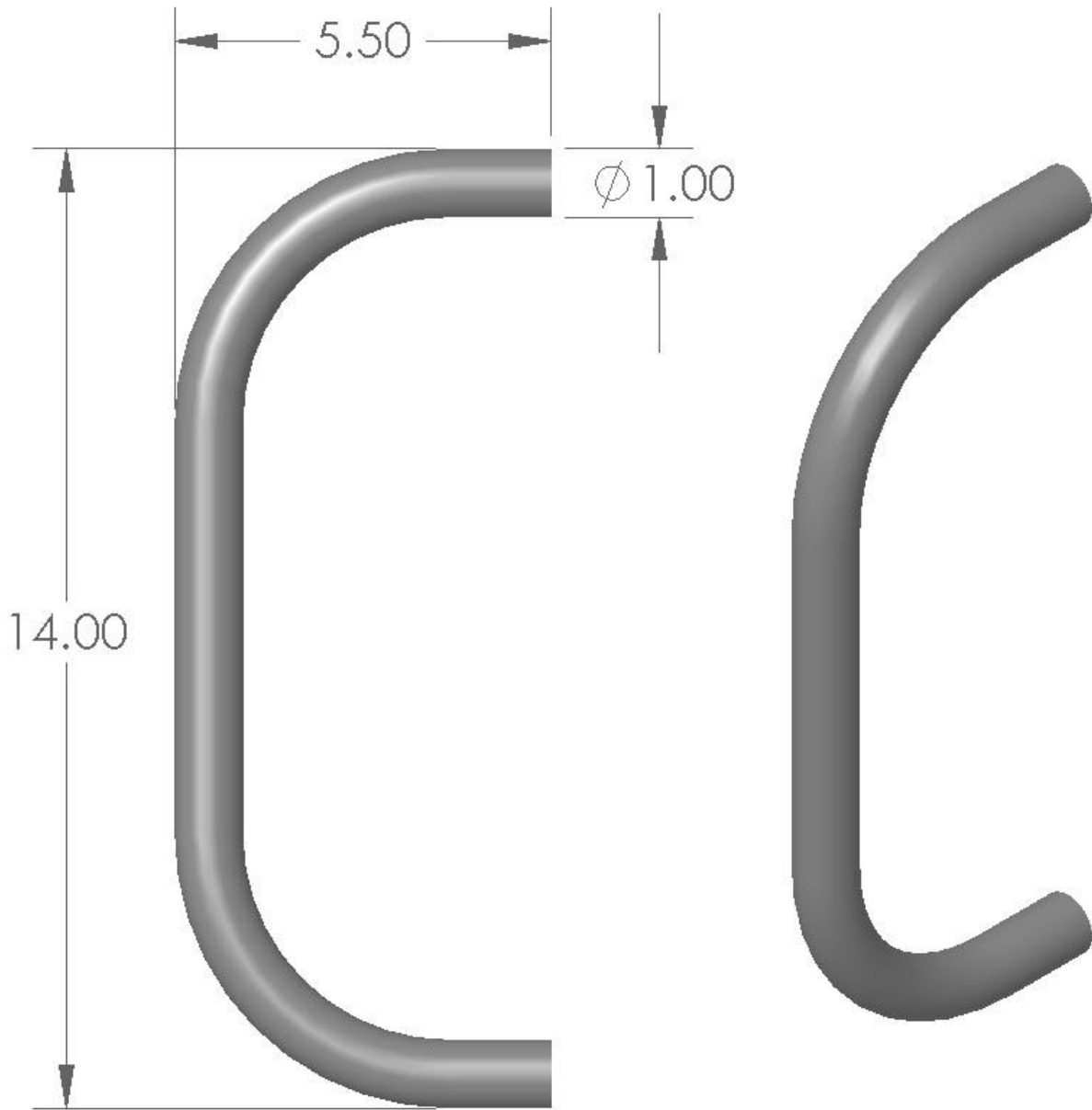
**CO2 TANK ASSEMBLY KIT
(002321-00)**



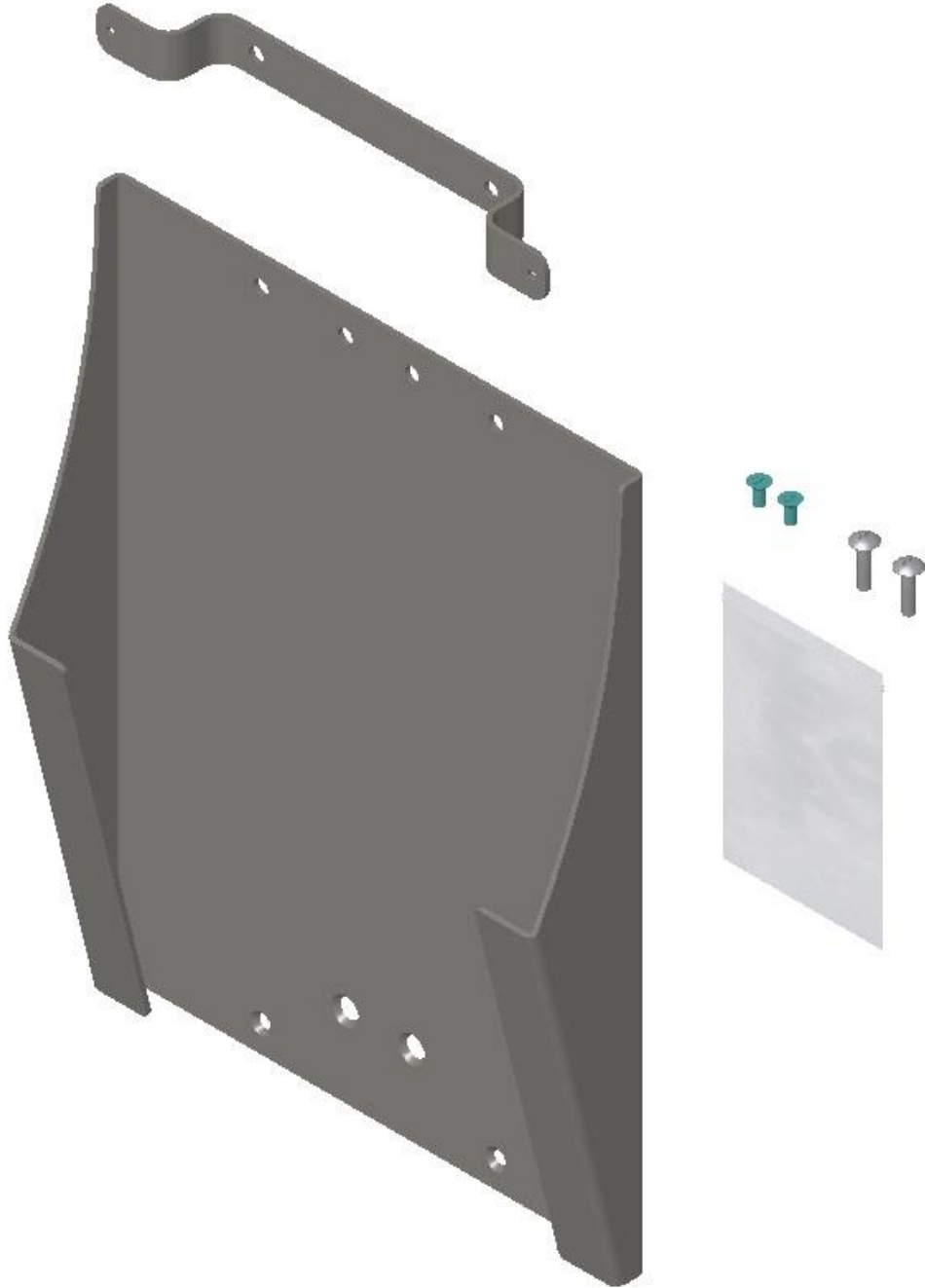
PULL-OUT PUMP SHELF (002321-00)



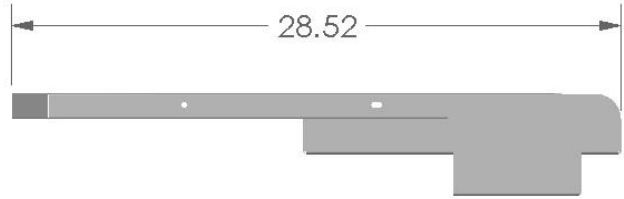
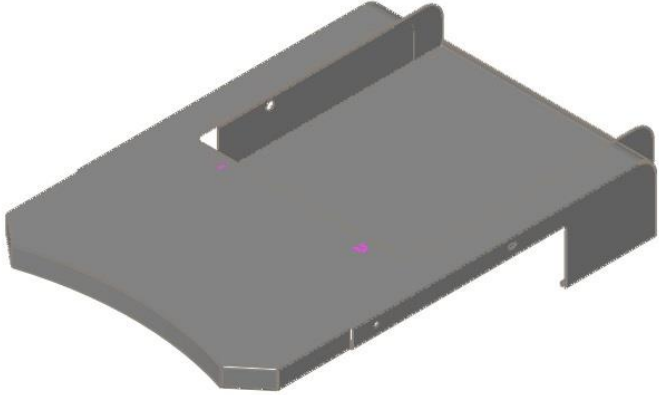
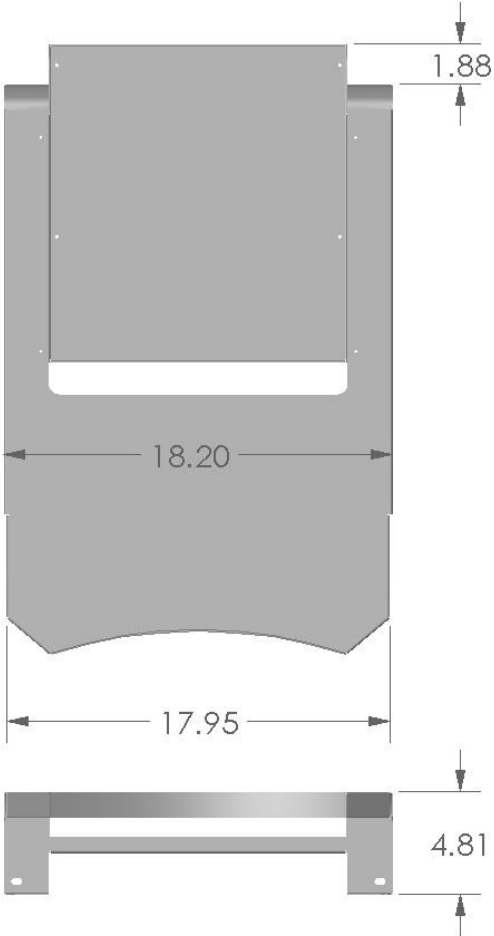
FRONT HANDLE
(304955-01)



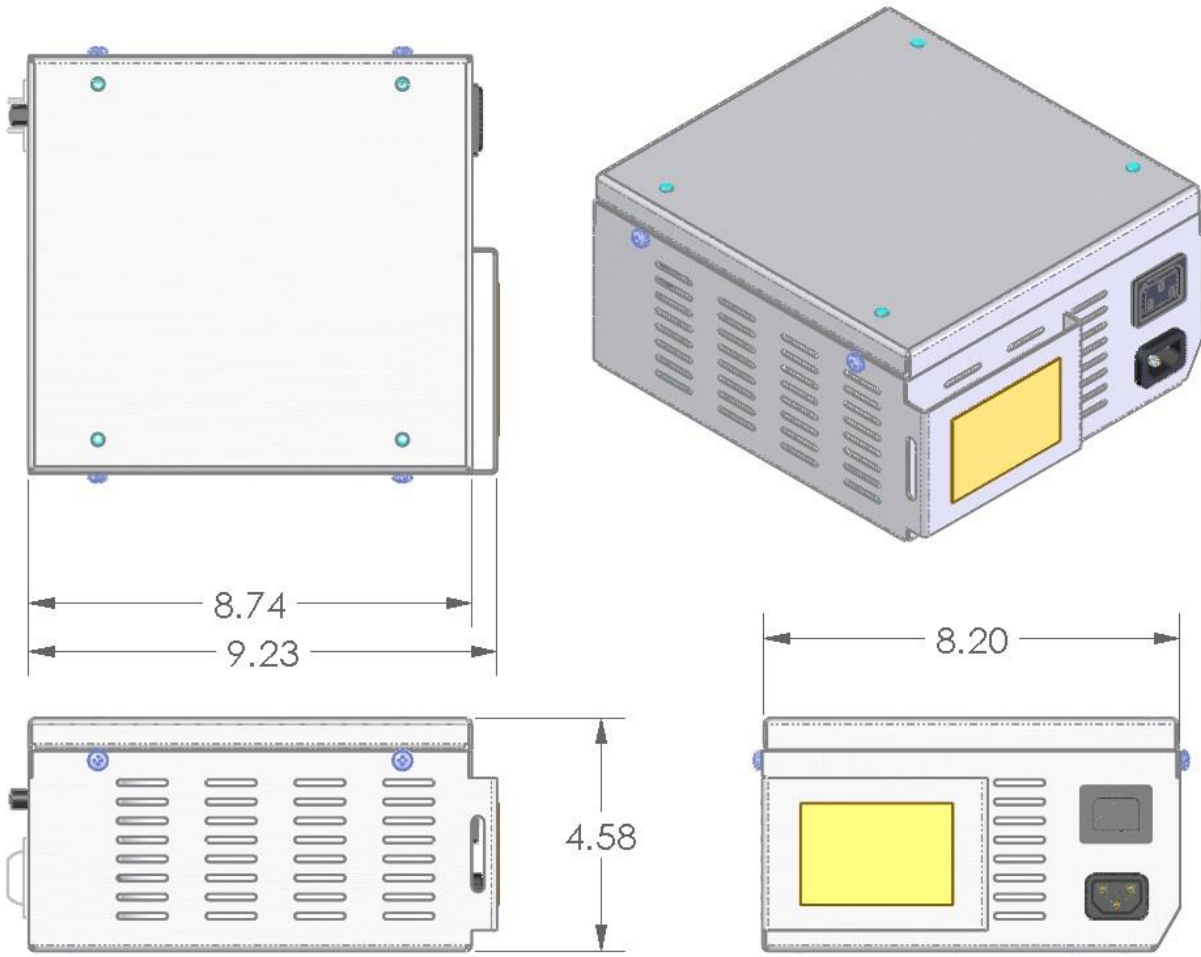
FOOT PEDAL HOLDER ASSEMBLY
(305344-00)



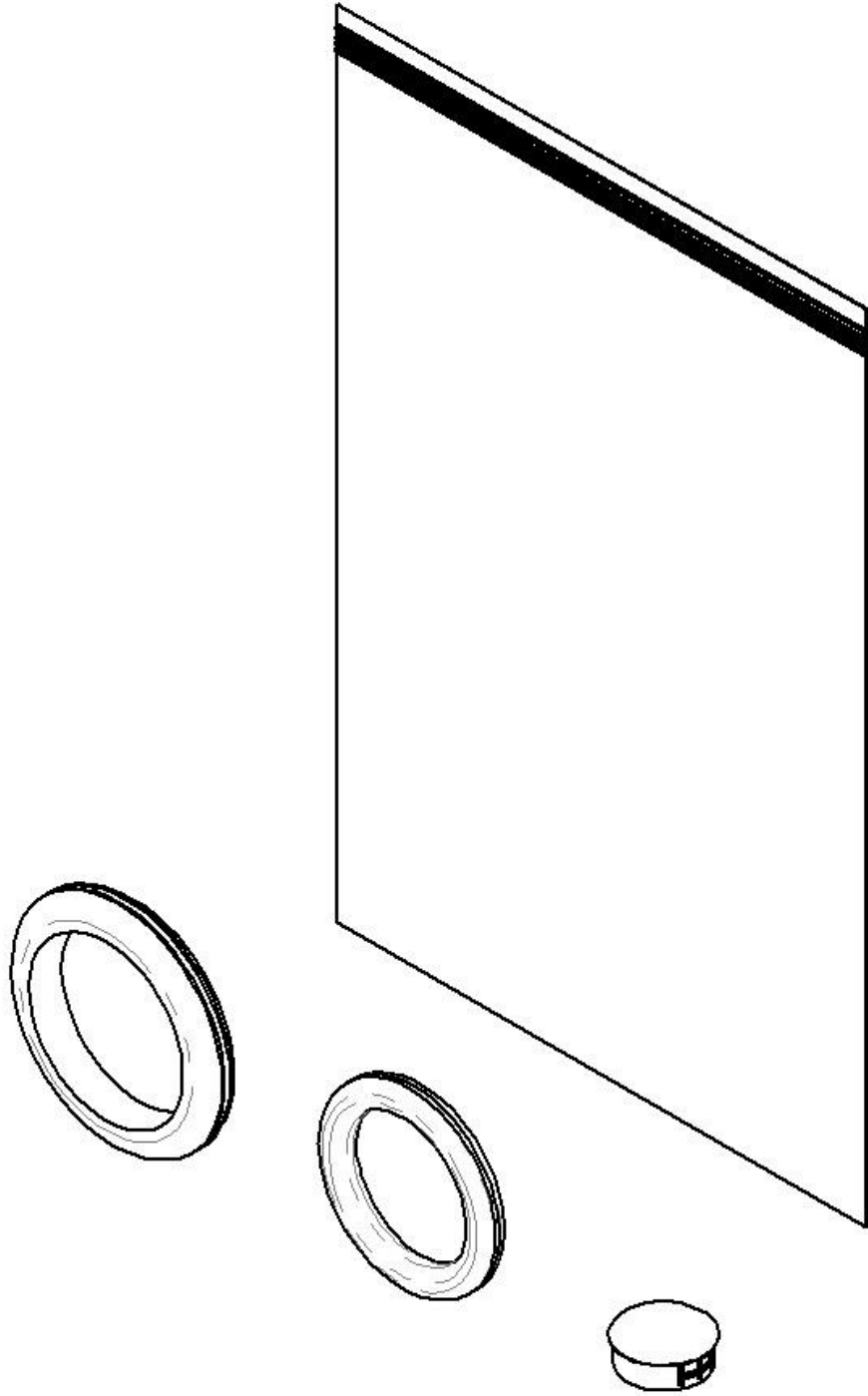
PRINTER SHELF
(304920-01)



INTERNATIONAL TRANSFORMER (304252-00)



GROMMET KIT
(002356-00)



CASTERS, LOCKING
(703412-15)



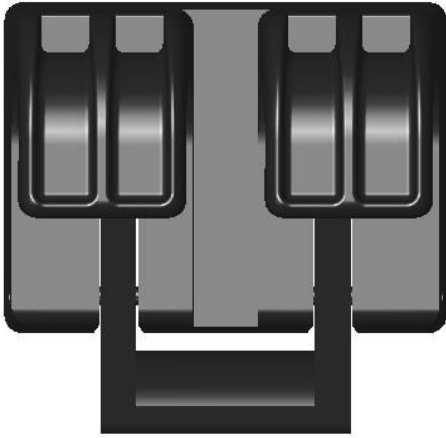
POWER CABLES, DOMESTIC
(002363-00)



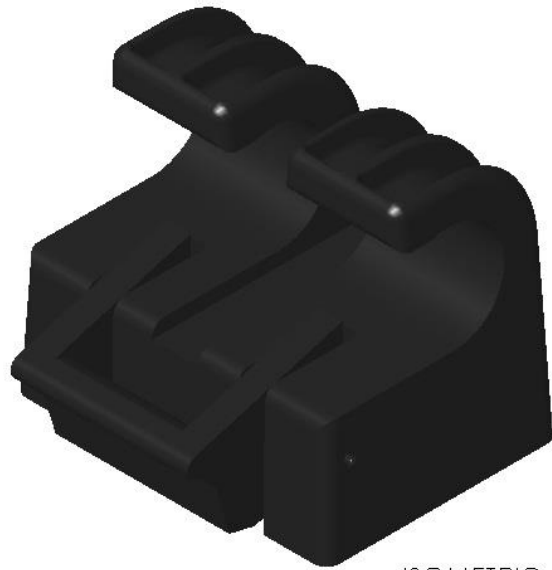
BOOM ARM
(304856-03)



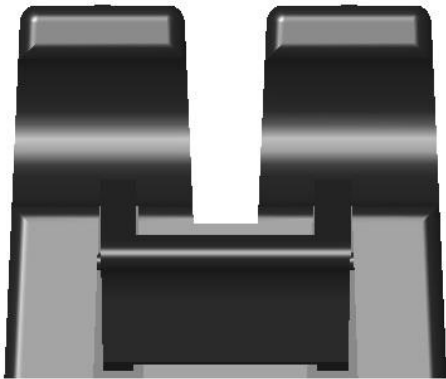
HOME POSITION BRACKET
(304871-00)



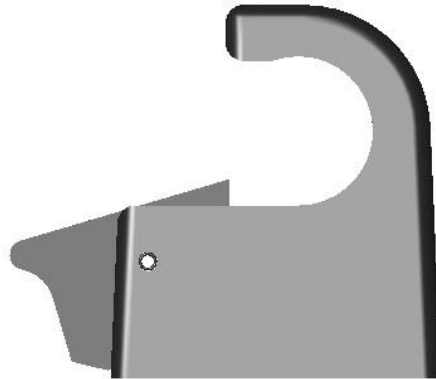
TOP



ISOMETRIC



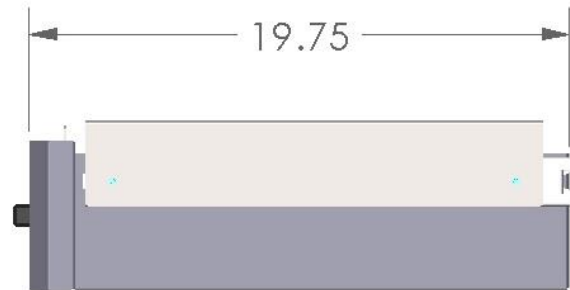
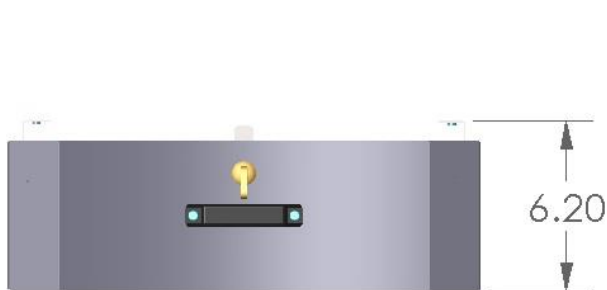
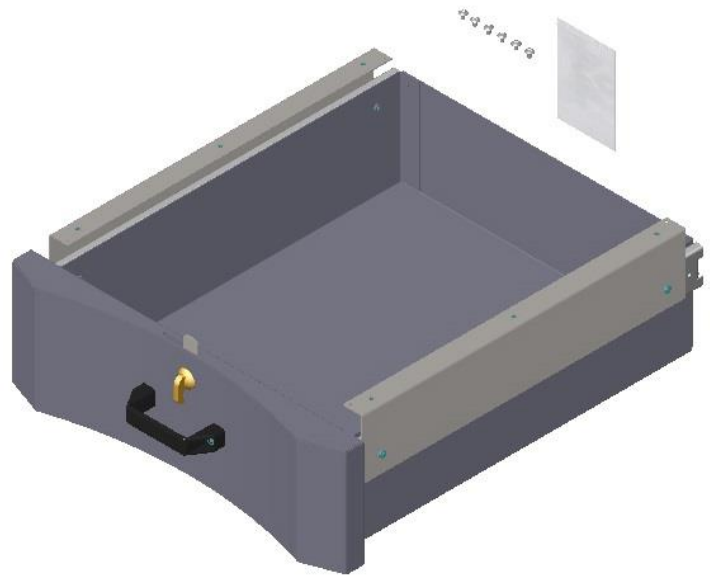
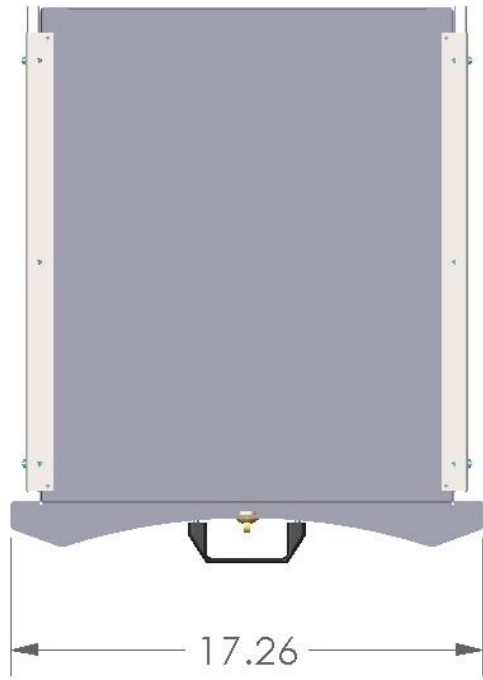
FRONT



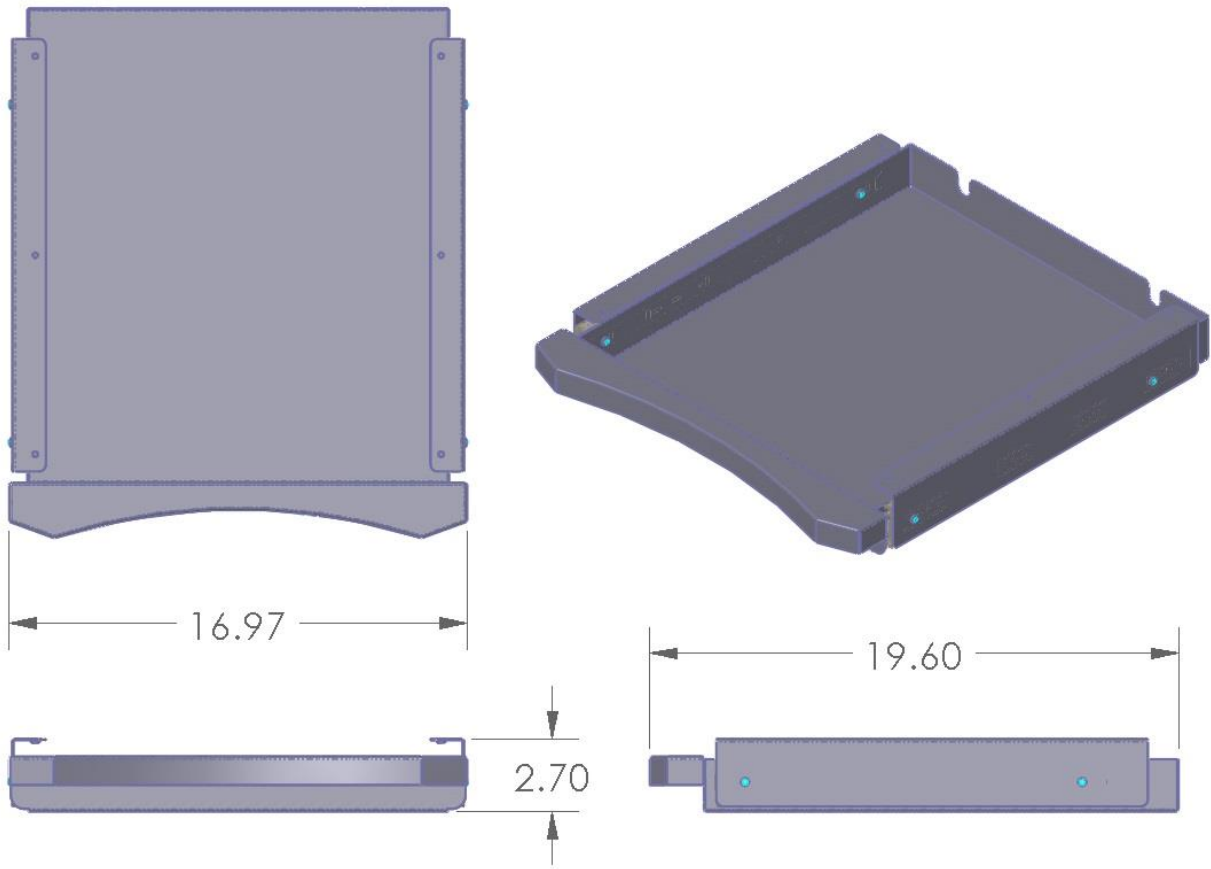
SIDE

For use with 304856-03 Boom Arm

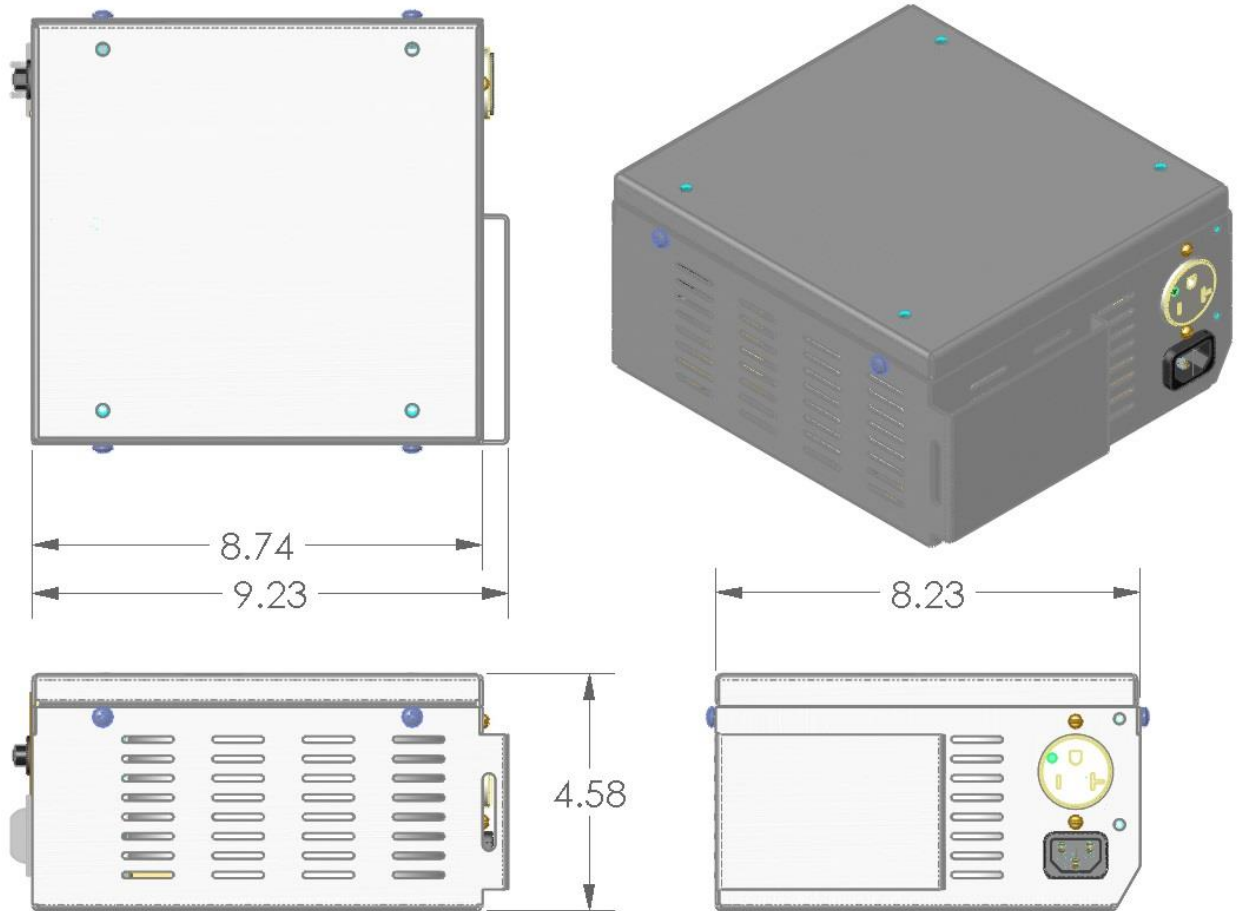
DRAWER W/O SHELF (303914-00)



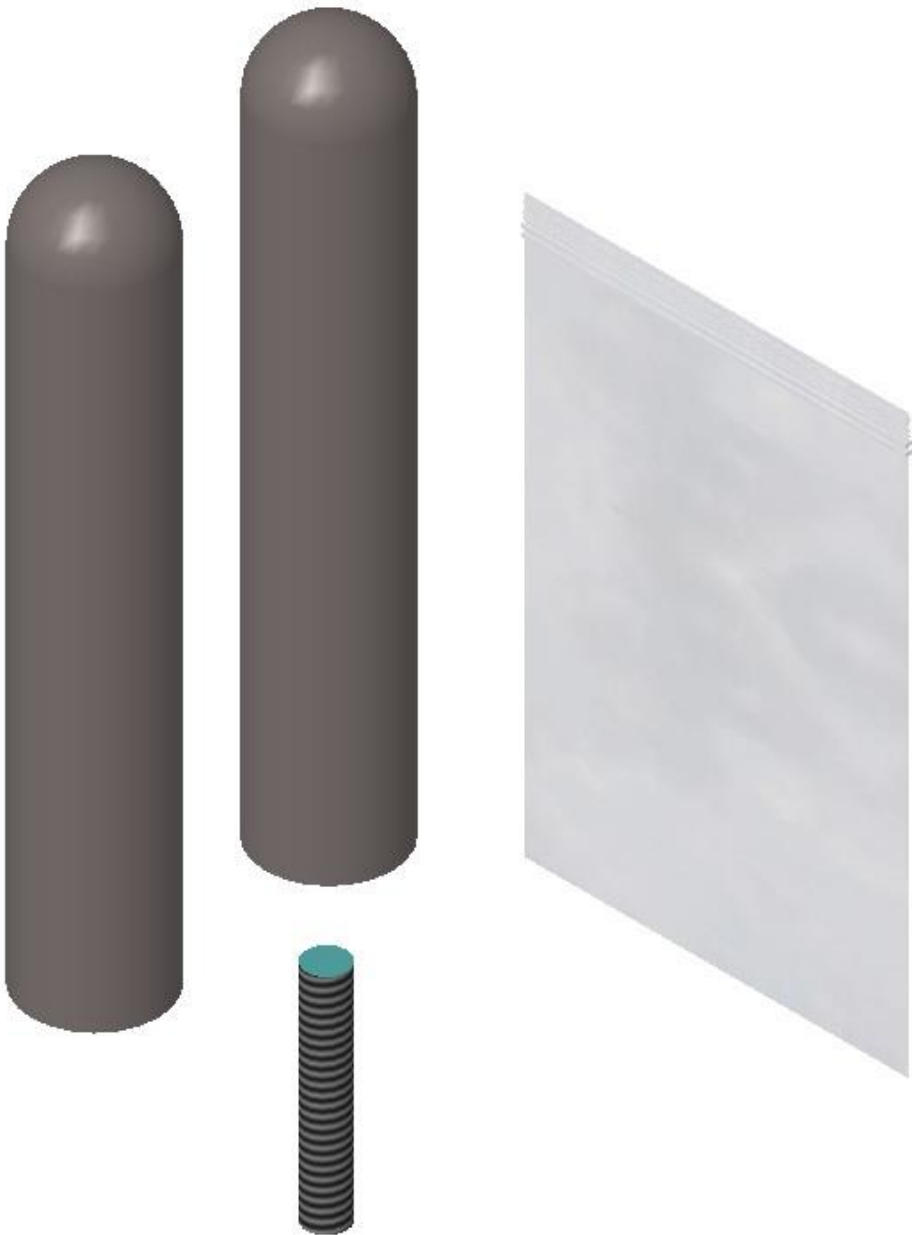
KEYBOARD TRAY W/O SHELF
(303924-00)



TRANSFORMER DOMESTIC, 120 VAC
(002305-00)



**MONITOR ARM HANDLE KIT
(002340-00)**



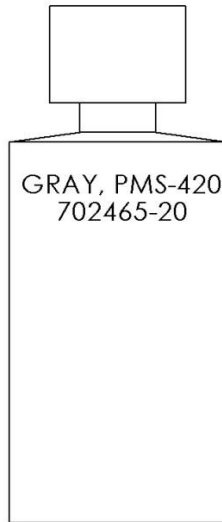
LOGO
(505050-00)



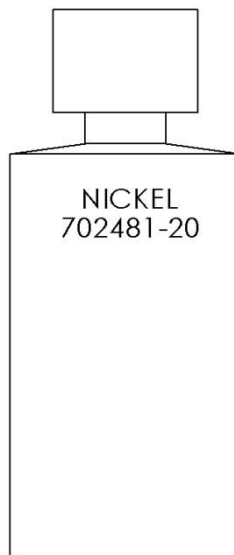
LOGO, FRONT
(505051-00)



TOUCH-UP PAINT GRAY
(702465-20)



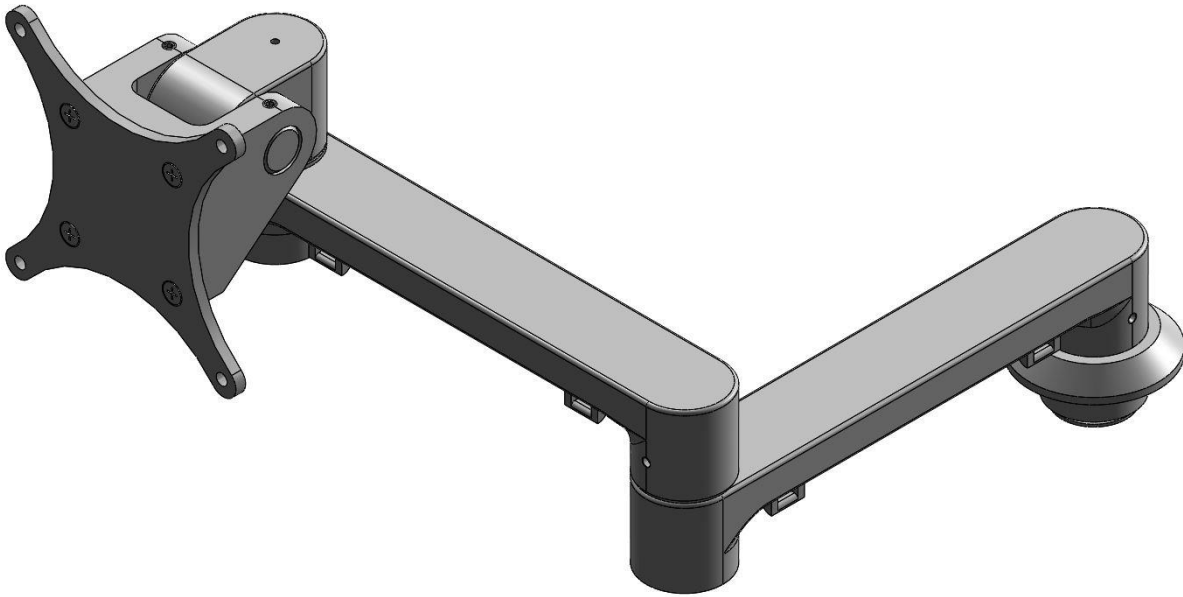
TOUCH-UP PAINT NICKEL
(702481-20)



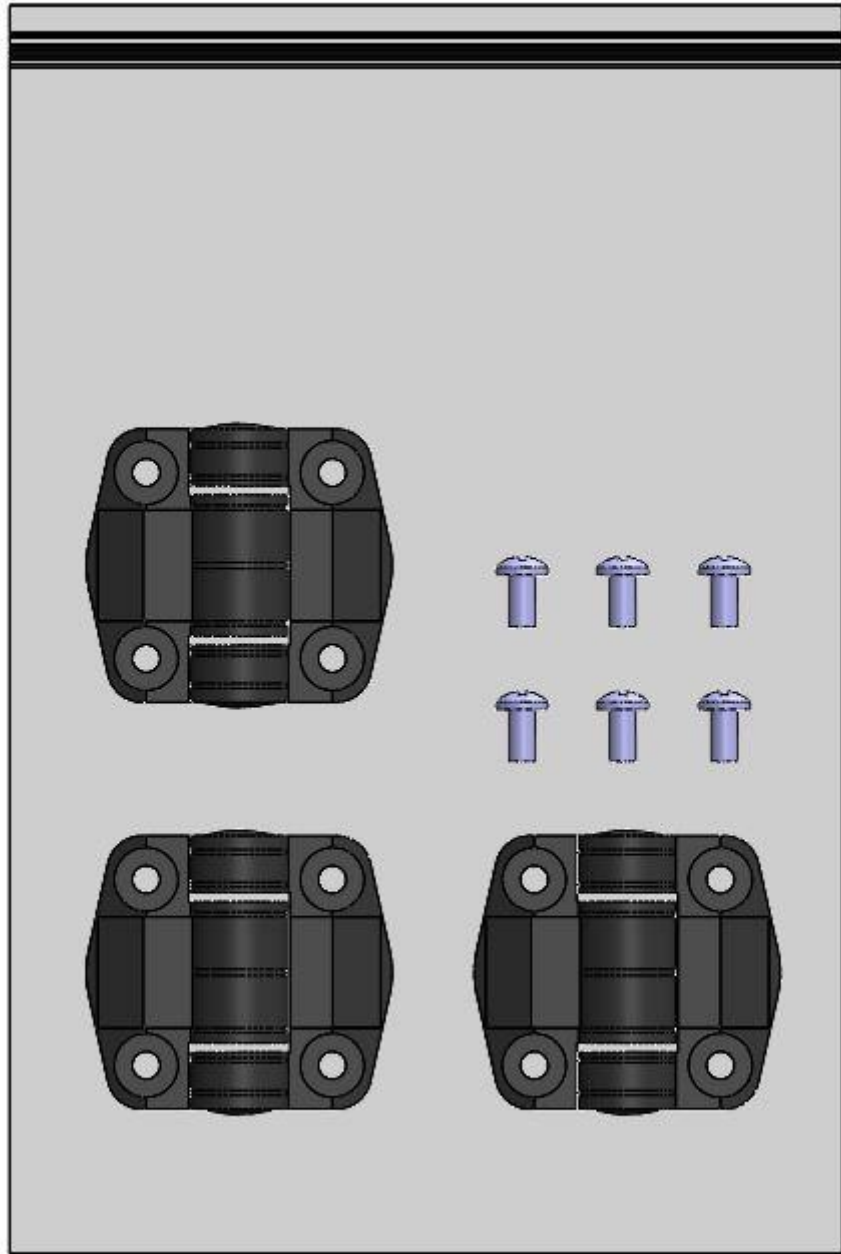
**CABLE KIT
(304373-00)**

| ITEM # | PART # | DESCRIPTION | QTY. |
|--------|-----------|-----------------------------------|------|
| 1 | 700039-60 | BAG, RECLOSABLE, 12" x 14", 2 MIL | 1 |
| 2 | 703021-30 | DVI SINGLE LINK CABLE, 10' | 2 |
| 3 | 703024-30 | BNC TO BNC, 12' | 1 |

SECONDARY ARM
(304837-00)



HARDWARE KIT, HINGES (305304-00)



**Post Mount
(305297-00)**

