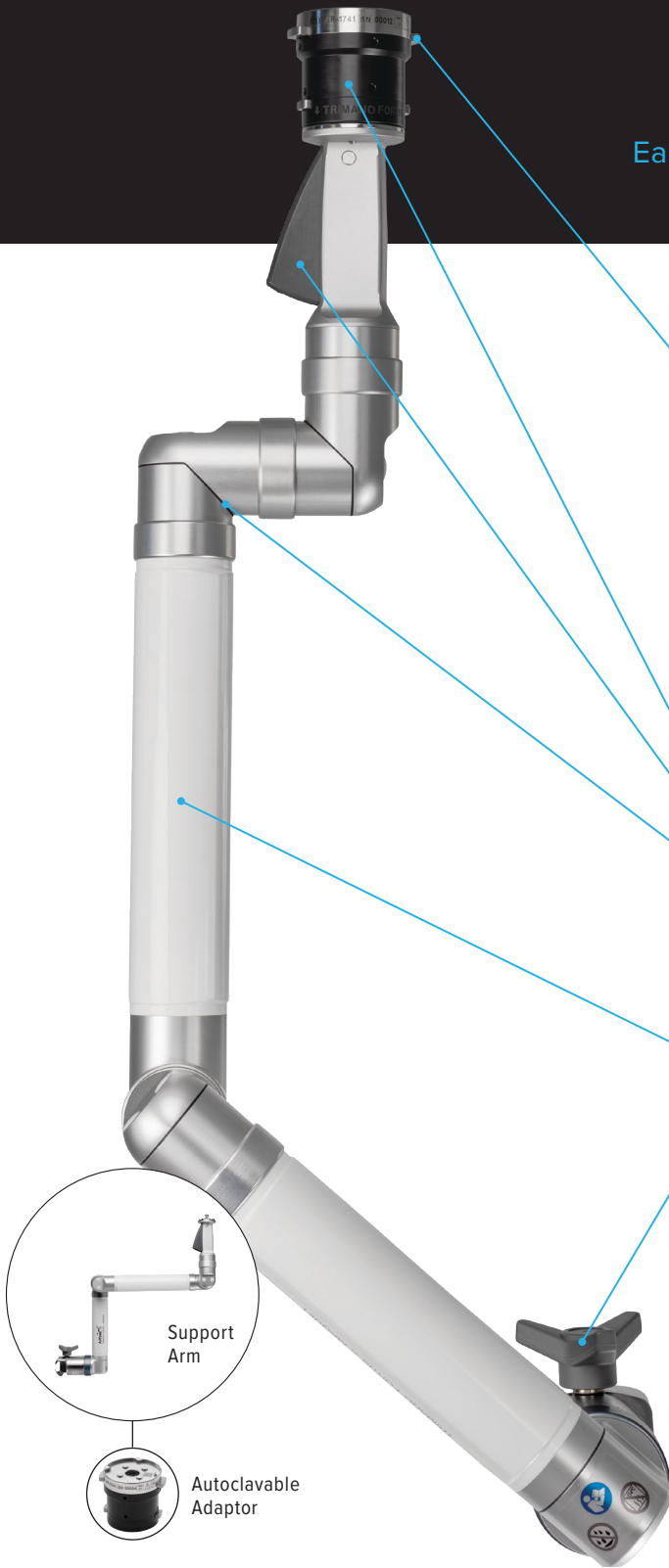


TRIMANO FORTIS

Easy One-Handed Patient Positioning System



Optimized Workflows

- Lock and unlock sterile limb holder during the operation as needed to manipulate
- Surgical team's "third hand." Allows critical OR staff to focus on the procedure and not patient positioning
- Unrestricted access to surgical field

Flexible Limb Positioning

- Single sterile adaptor for all applications
- Light-touch handle for effortless adjustments
- Strength for precise and secure sterile positioning

Easy to Use

- Compact and lightweight
- No need for batteries, hoses, cables, or foot pedals
- Easily attachable to any OR table rail and is ready for immediate use
- Intuitive operation; all required disposable articles are contained in convenient sterile kits

Shoulder and Elbow



Wrist

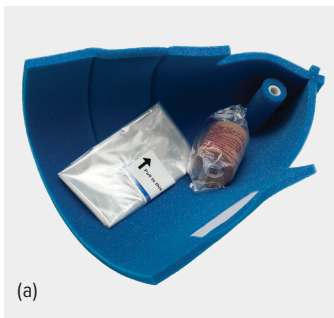


Knee



Open and General Surgery





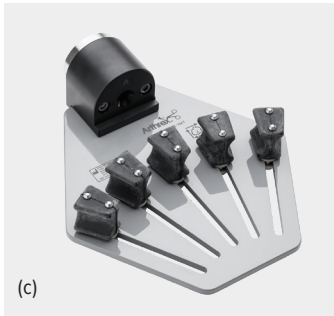
Shoulder

TRIMANO® Beach Chair Kit allows for quick and easy patient preparation while gently protecting the operative arm.



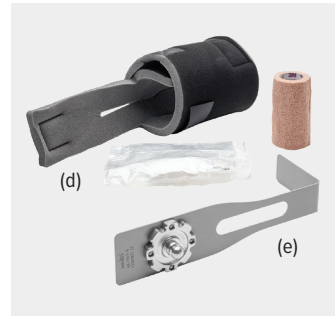
Elbow

TRIMANO Elbow Kit allows complete control of a patient's elbow during arthroscopic or open elbow procedures, in both lateral and prone positions.



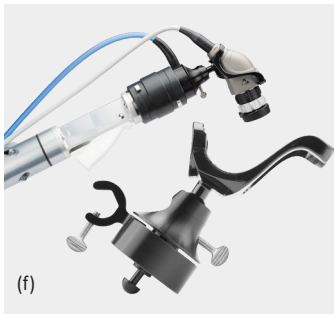
Wrist

TRIMANO wrist positioner is a radiolucent Weinberg finger fixation device that allows for x-ray imaging; ideal for wrist arthroscopy, distal radius fractures, and other open wrist procedures.



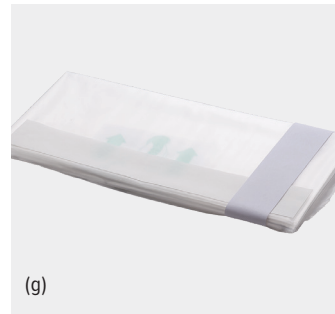
Knee

TRIMANO FORTIS Knee Kit is ideal for holding a varus or valgus force, improving compartment visualization during knee arthroscopy, and supporting the limb during partial or total knee arthroplasty.



Open Surgery

TRIMANO Synergy Camera head holder can help document open cases similar to arthroscopic cases.



Accessories

TRIMANO sterile drape is also available separately for use with reusable accessories including the wrist positioner and camera holder.

Ordering Information

Product Description	Item Number
TRIMANO FORTIS Support Arm	AR-1740
TRIMANO FORTIS Adapter	AR-1741
TRIMANO Beach Chair Kit (Box of 6) (a)	AR-1644
TRIMANO Elbow Kit (Box of 6) (b)	AR-1646
TRIMANO Wrist Positioner (c)	AR-1647
TRIMANO Drape (Box of 6) (g)	AR-1648
TRIMANO FORTIS Reusable Leg Holder (e)	AR-1747-B
TRIMANO FORTIS Knee Kit (Box of 6) (d)	AR-1747
TRIMANO Synergy Camera Head Holder (f)	AR-3210-0010



Scan to view more product information

arthrex.com

© 2021 Arthrex, Inc. All rights reserved. FL1-000323-en-US_B

