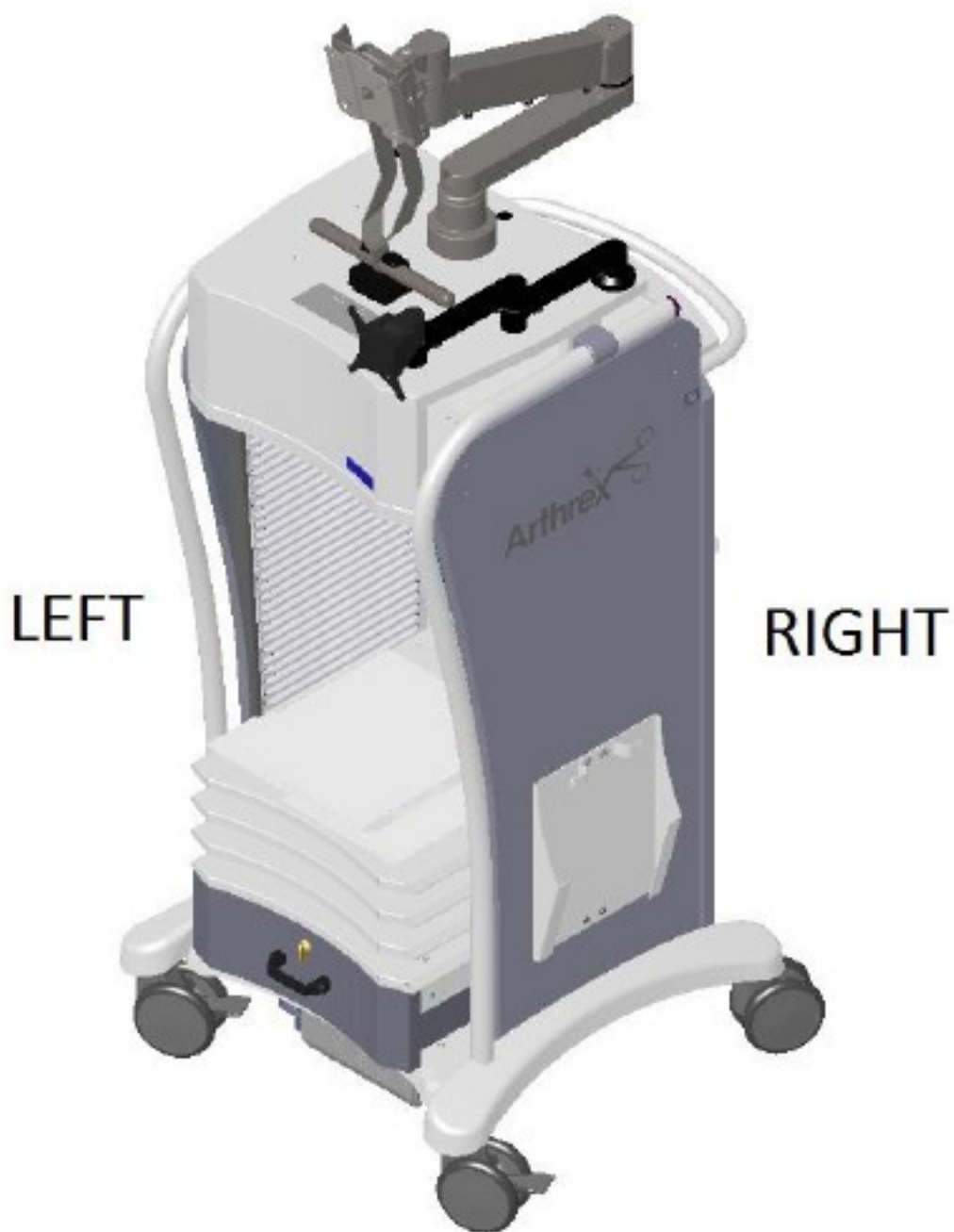


002238-05
ARTHREX SYNERGY VIDEO CART
(FORMERLY AR-6000B) VERSION I PARTS



CONTENTS

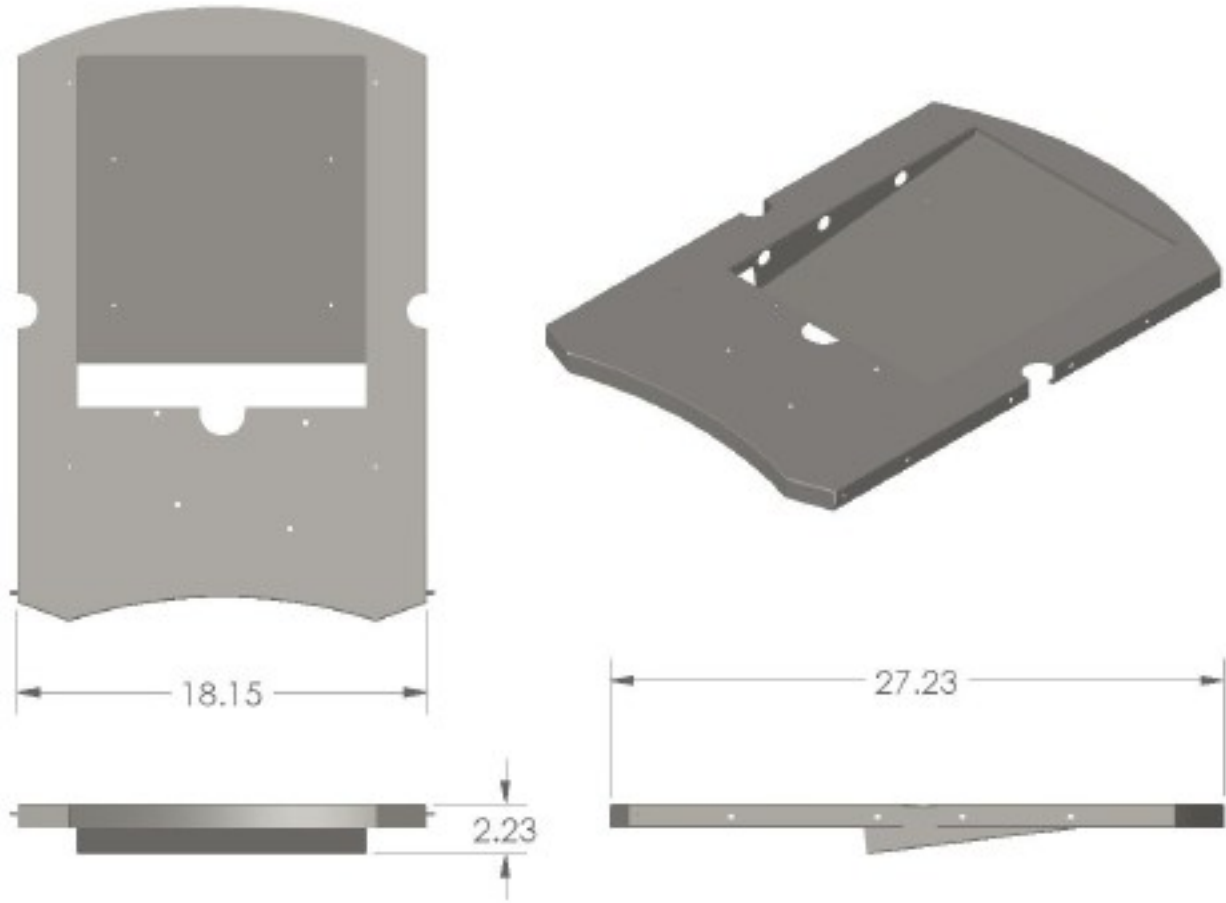
Page Description

2. Video Cart with Boom (002238-05) – (Formerly AR-6000B)
3. Fixed Printer Shelf (303837-01)
4. Side Panel, Right (303824-00)
5. Side Panel, Left (303792-01)
6. Adjustable Shelf (303851-00)
7. Drawer w/ Shelf (303929-00)
8. Foot Pedal Holder (303958-00)
9. Power Strip (304495-00)
10. Pull-Out Pump Shelf (304828-00)
11. IV Bag Hanger, Left (304833-00)
12. IV Bag Hanger, Right (304840-00)
13. CO2 Bottle Holder Kit (002334-00)
14. Boom Cover Replacement Kit (002338-00)
15. Front Cover Replacement Kit (002339-00)
16. Secondary Arm (305034-00)
17. Rear Door Hardware Kit (304842-00)
18. GSP800 Boom Arm (303778-06)
19. Casters (702196-15)/Casters, Locking (702197-15)
20. Winglet RH (504860-00)/ Winglet LH (504861-00)
21. BNC Connector (702120-30)
22. Boom Arm (304856-03)
23. Home Position Bracket (304871-00)
24. Drawer w/o Shelf (303914-00)
25. Keyboard Tray w/o Shelf (303924-00)
26. Transformer Domestic, 120 VAC (002305-00)
27. Monitor Arm Handle Kit (002340-00)
28. Logo (505050-00)/ Logo, Front (505051-00)
29. Touch-up Paint Gray (702465-20)/ Touch-up Paint Nickel (702481-20)
30. Cable Kit (304373-00)
31. Rear Handle Weldment (303833-01)

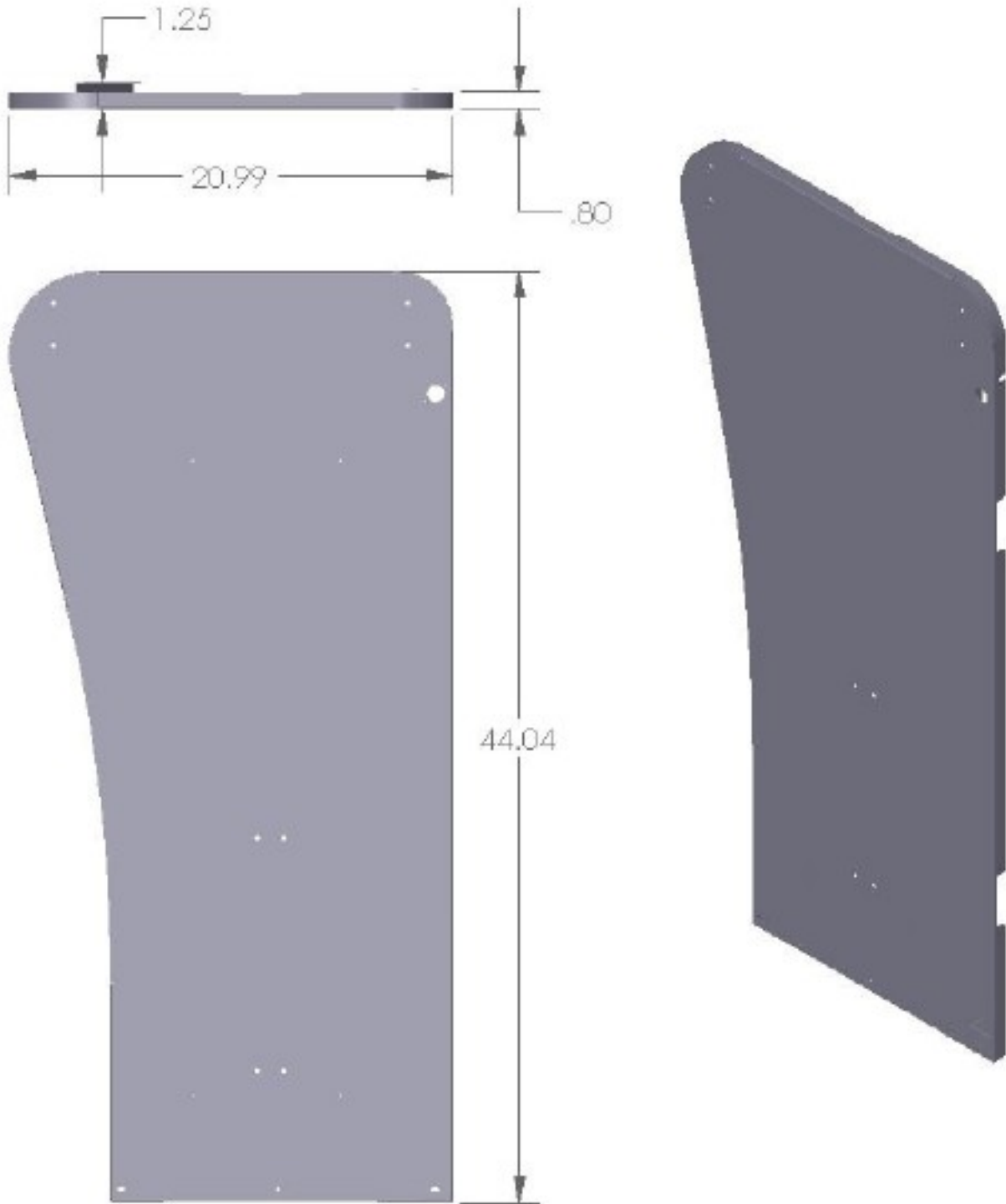
**VIDEO CART
(002238-05)**



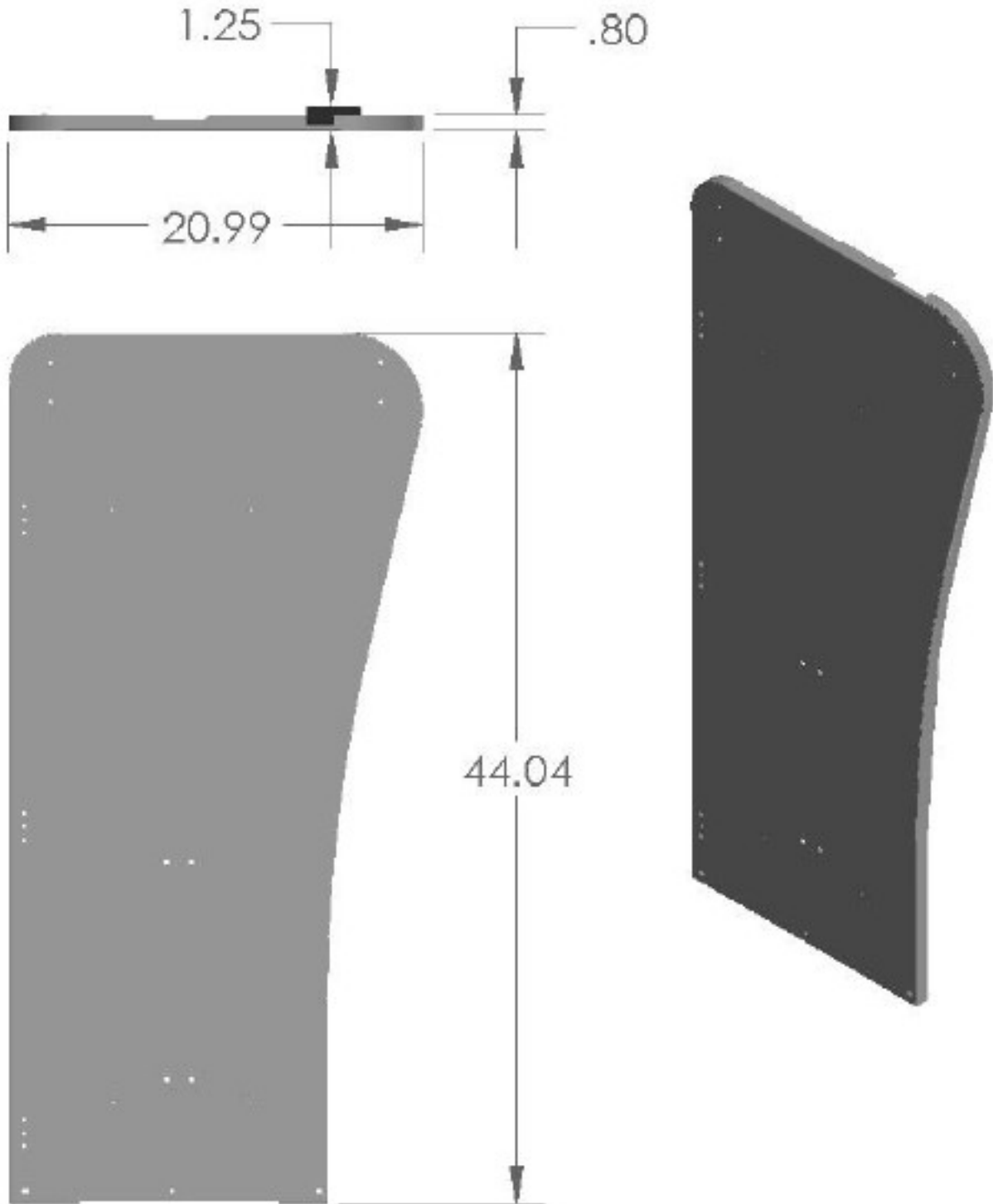
FIXED PRINTER SHELF
(303837-01)



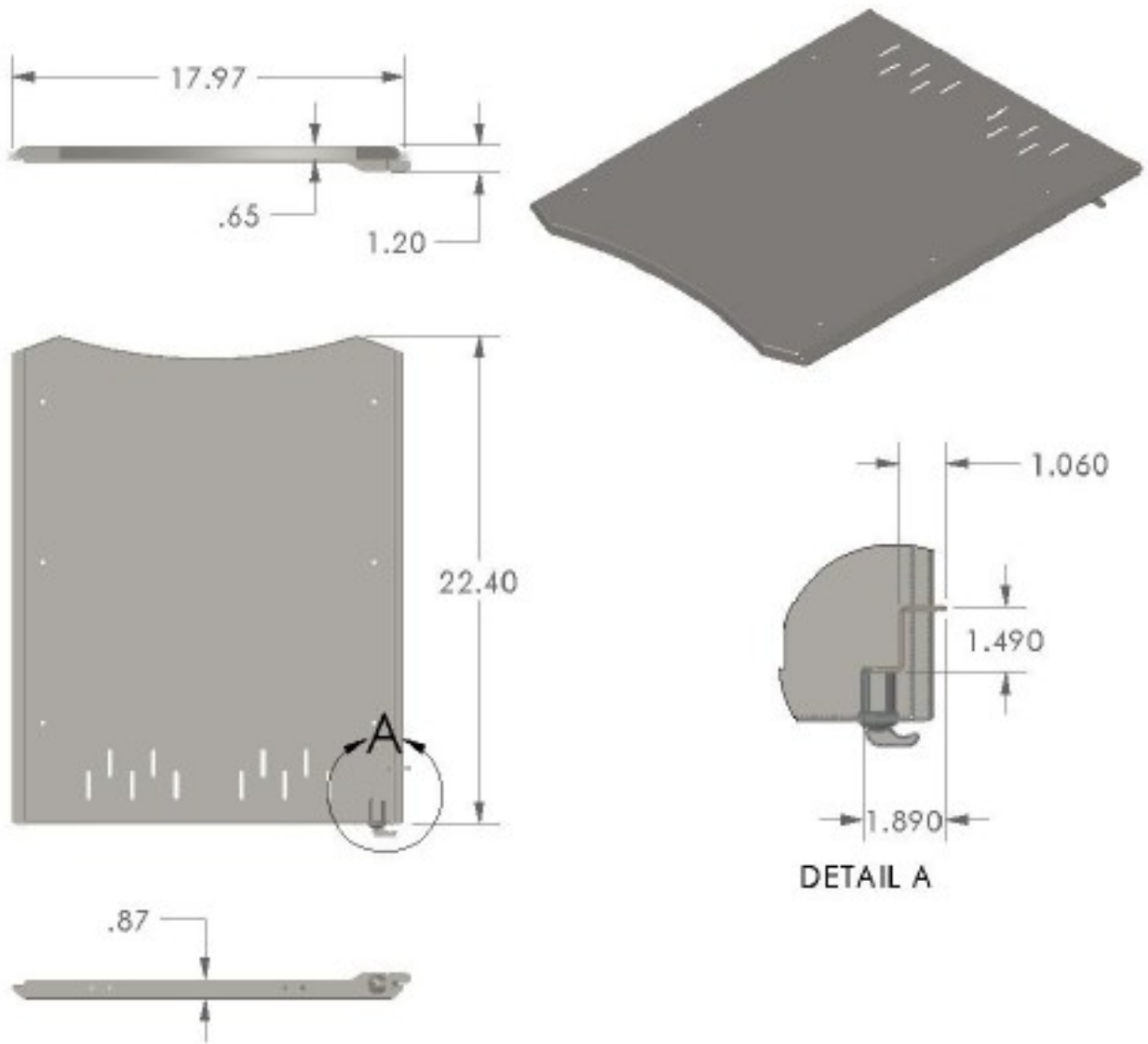
SIDE PANEL RIGHT
(303824-00)



SIDE PANEL LEFT
(303792-01)

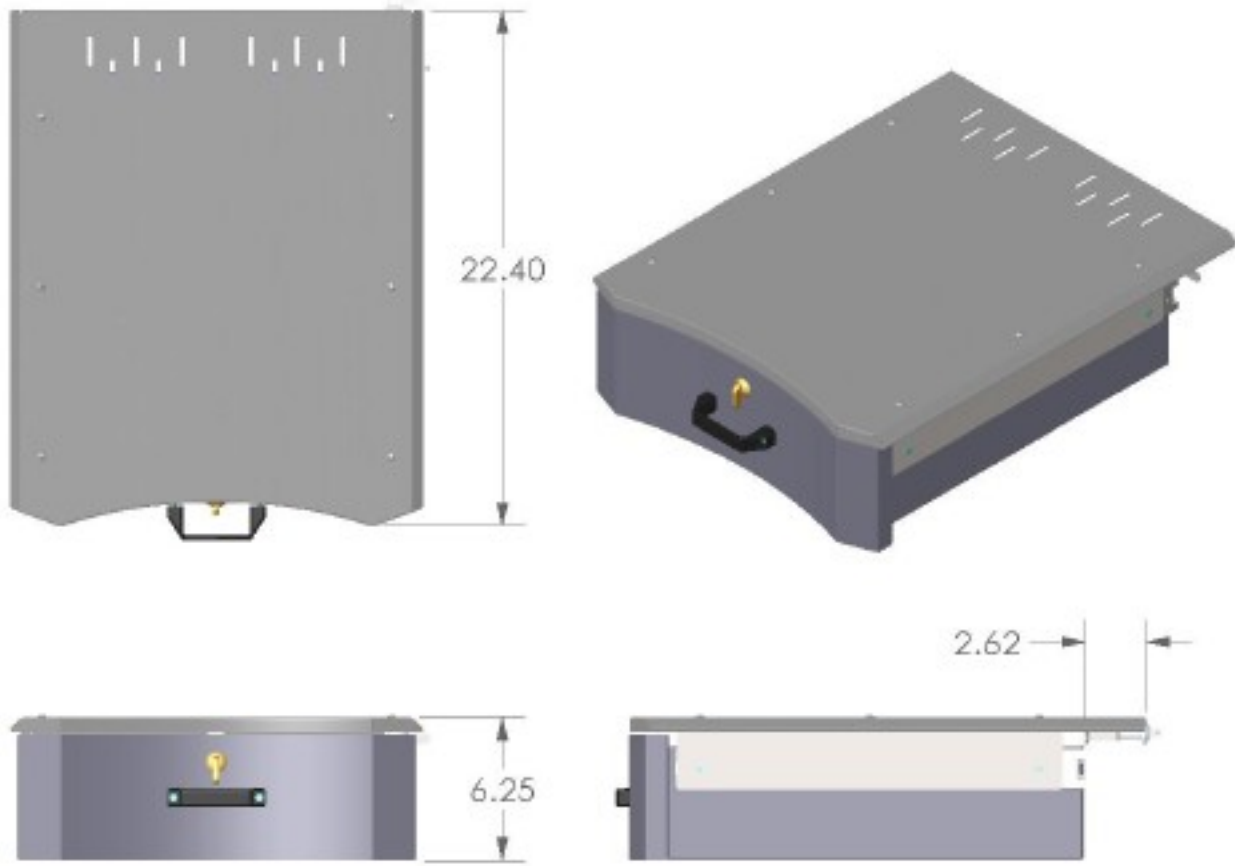


ADJUSTABLE SHELF (303851-00)

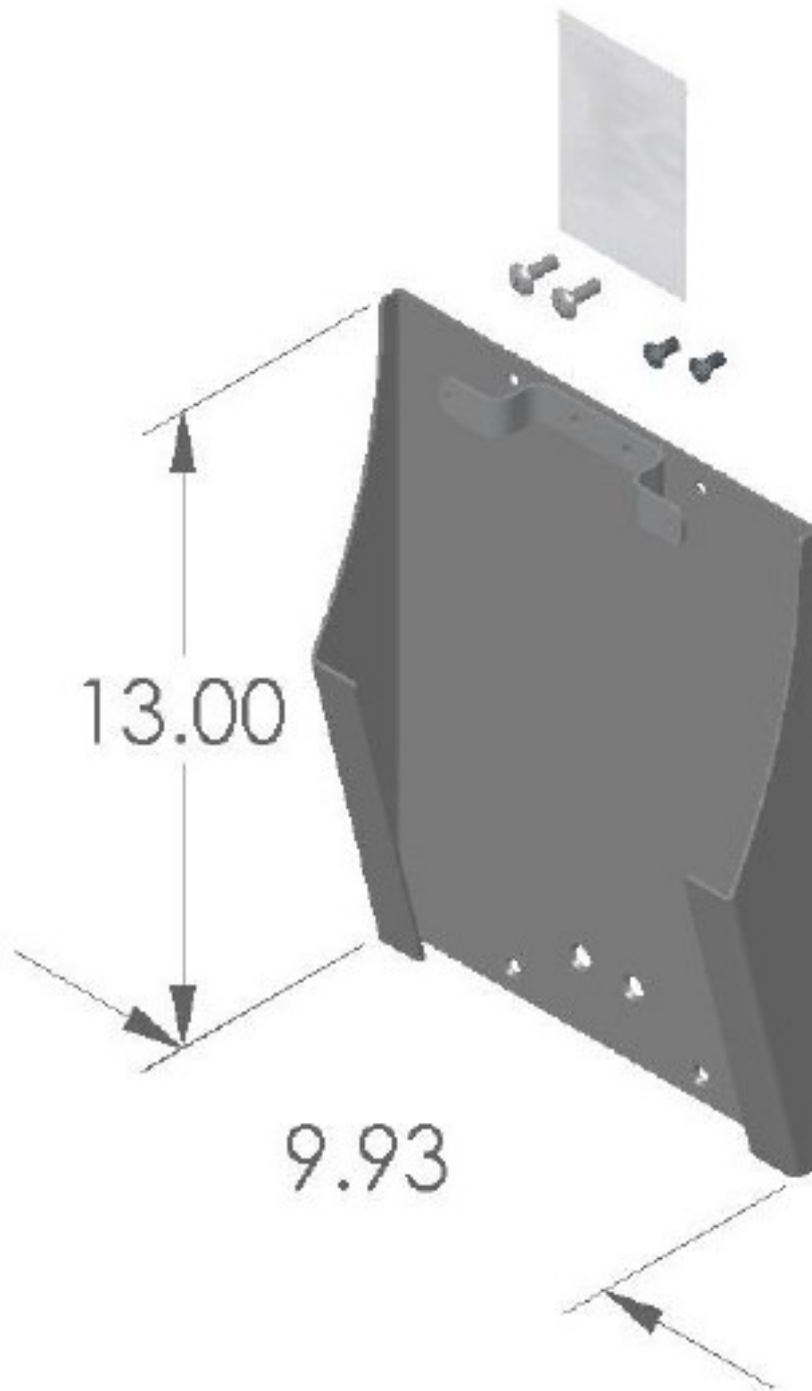


DRAWER W/ SHELF

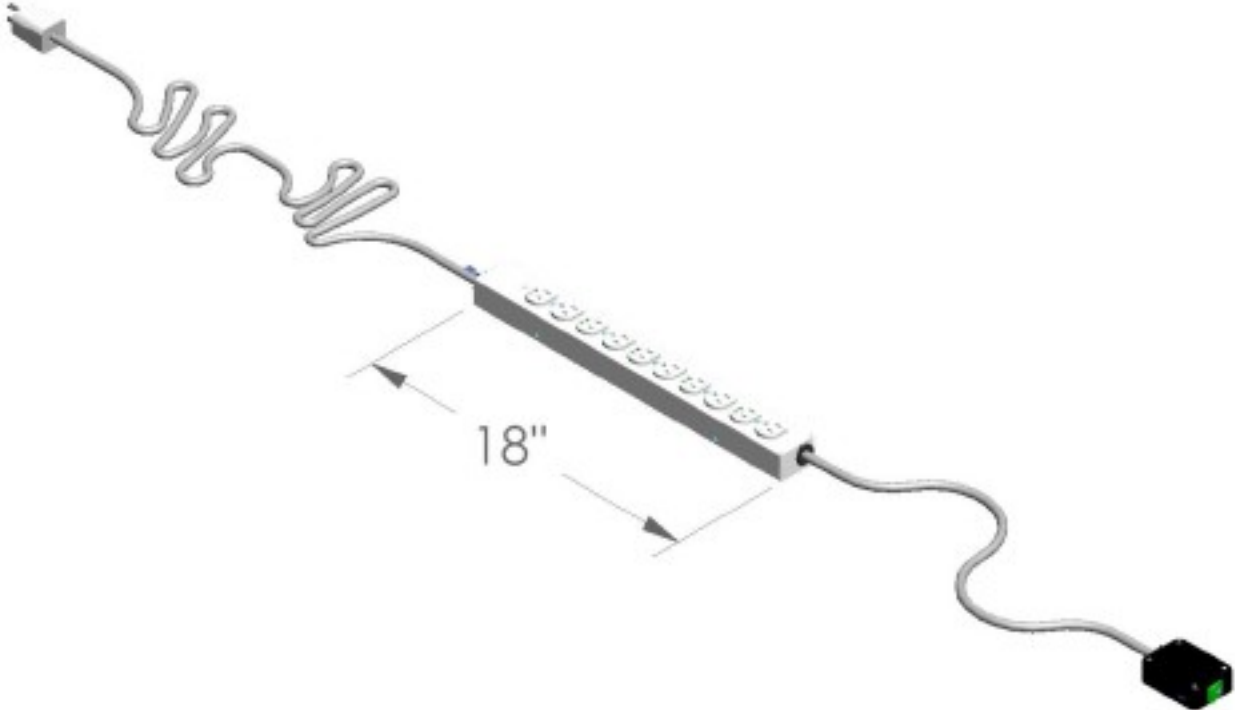
(303929-00)



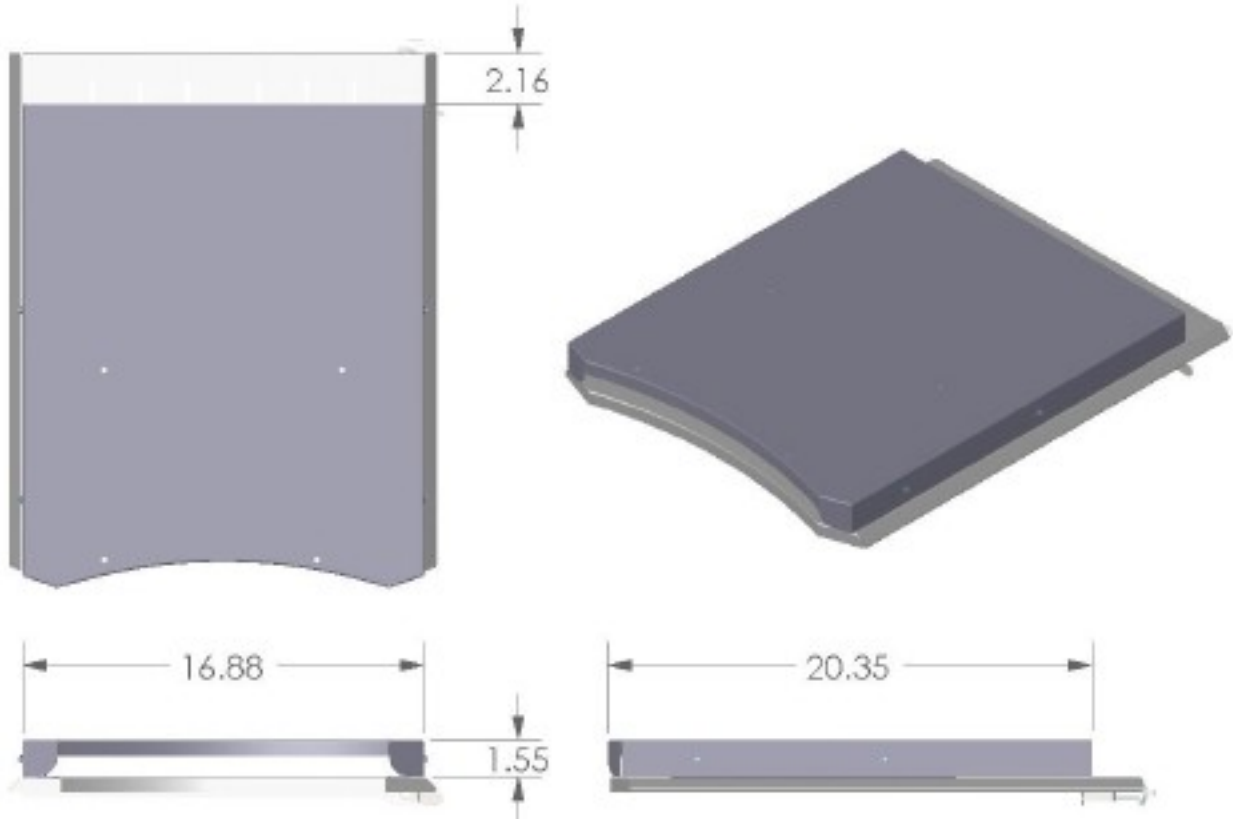
FOOT PEDAL HOLDER
(303958-00)



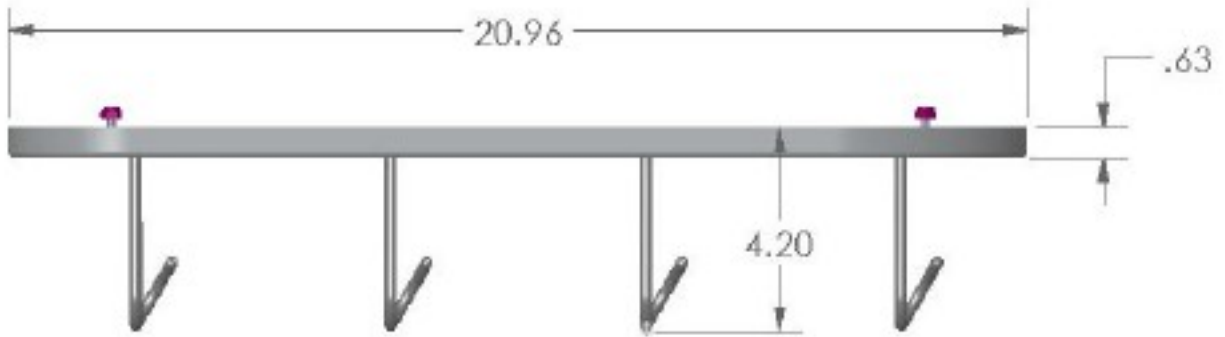
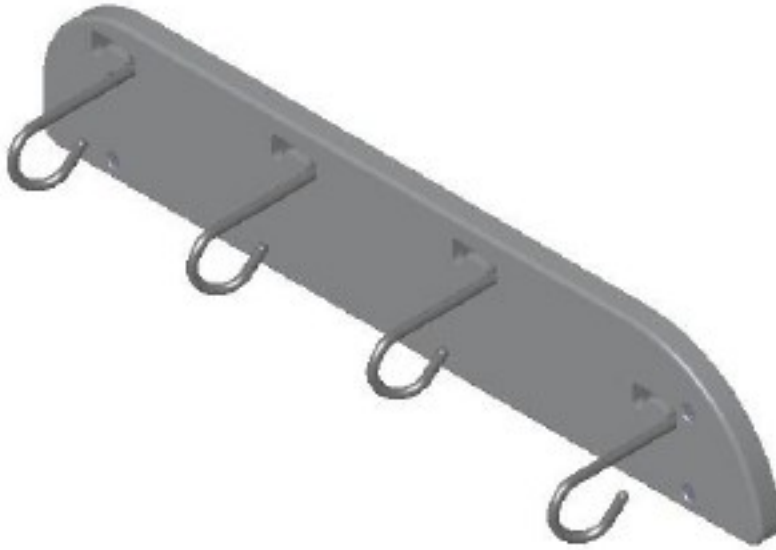
POWER STRIP
(304495-00)



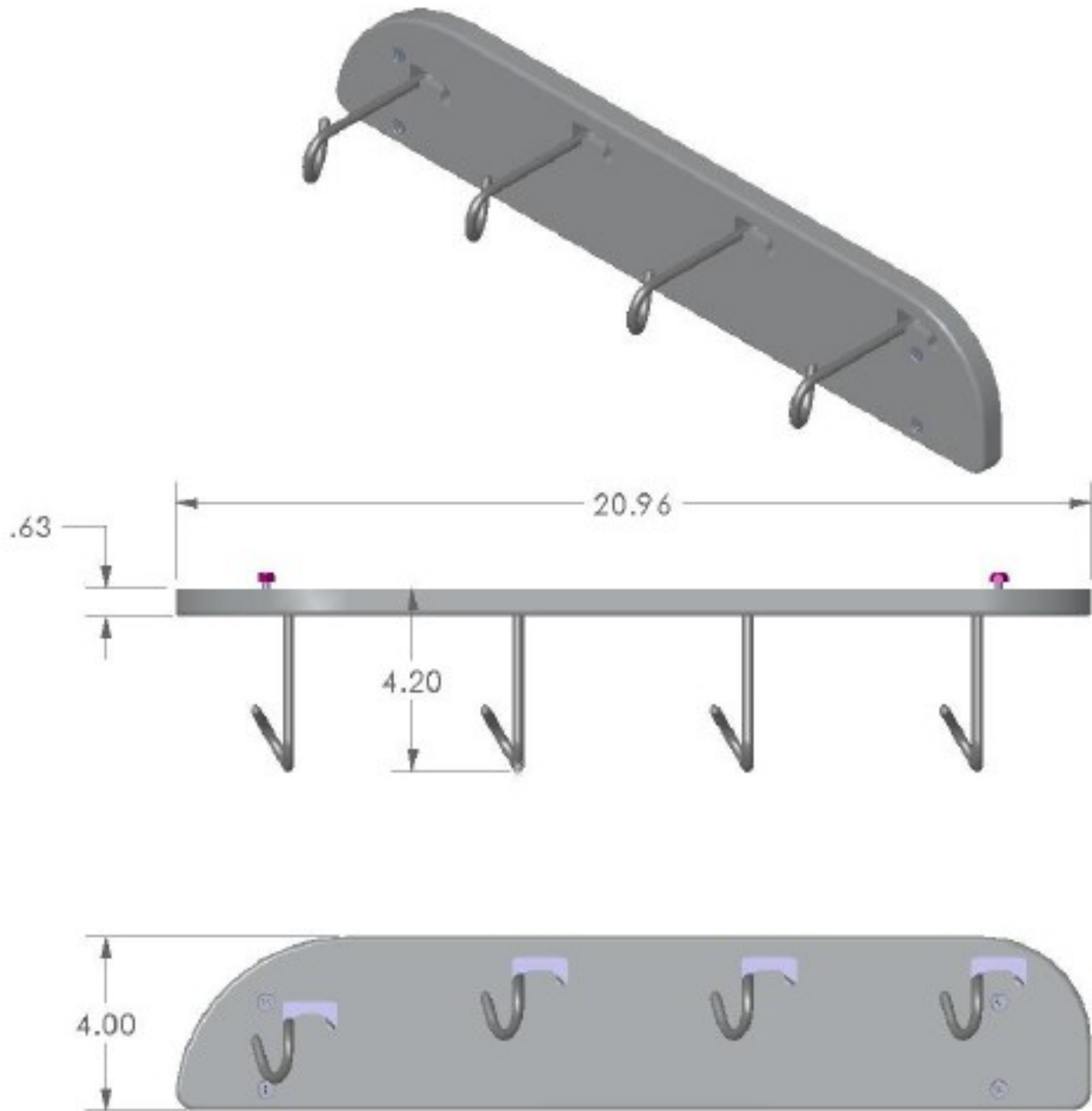
PULL-OUT PUMP SHELF
(304828-00)



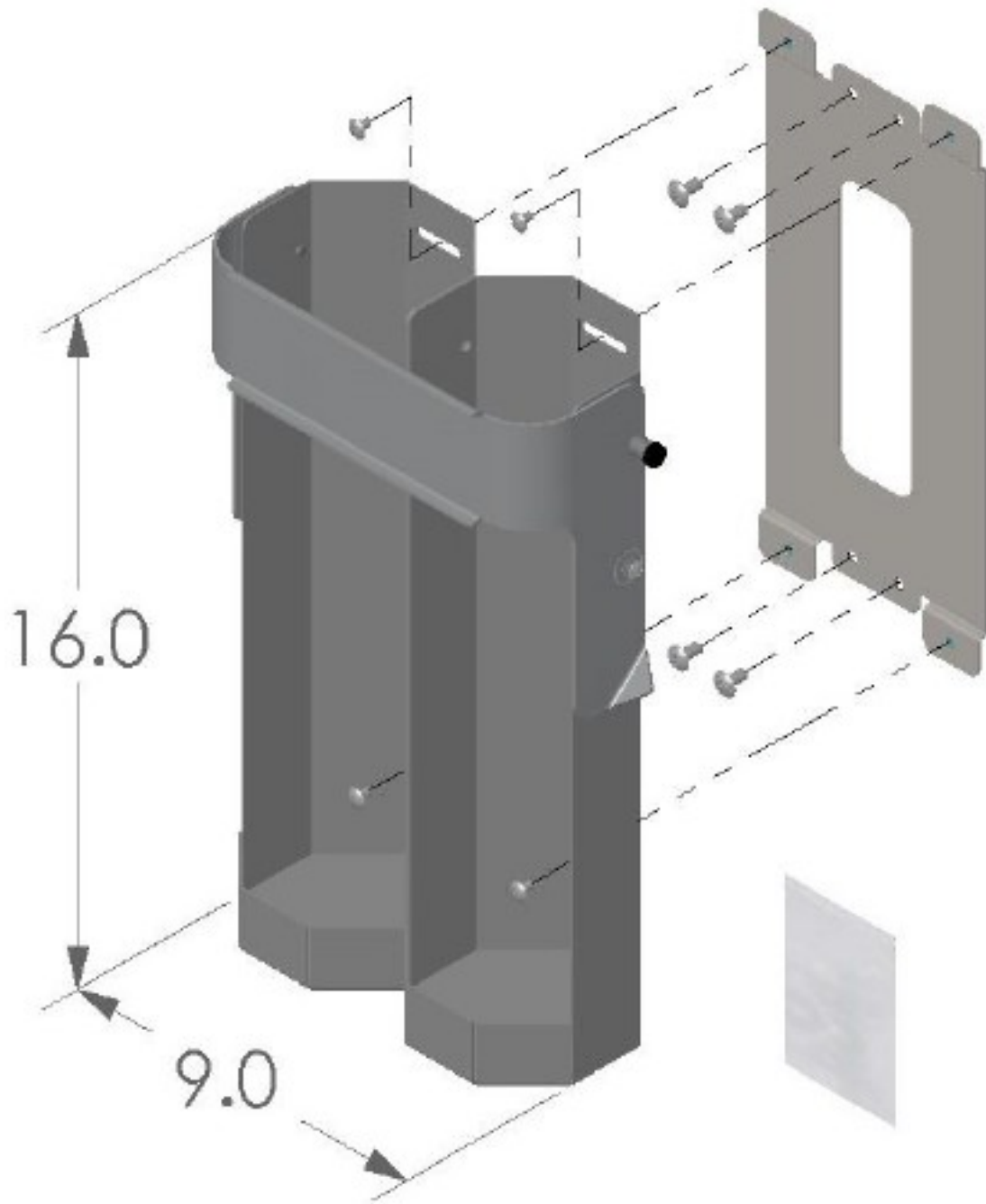
IV BAG HANGER, LEFT
(304833-00)



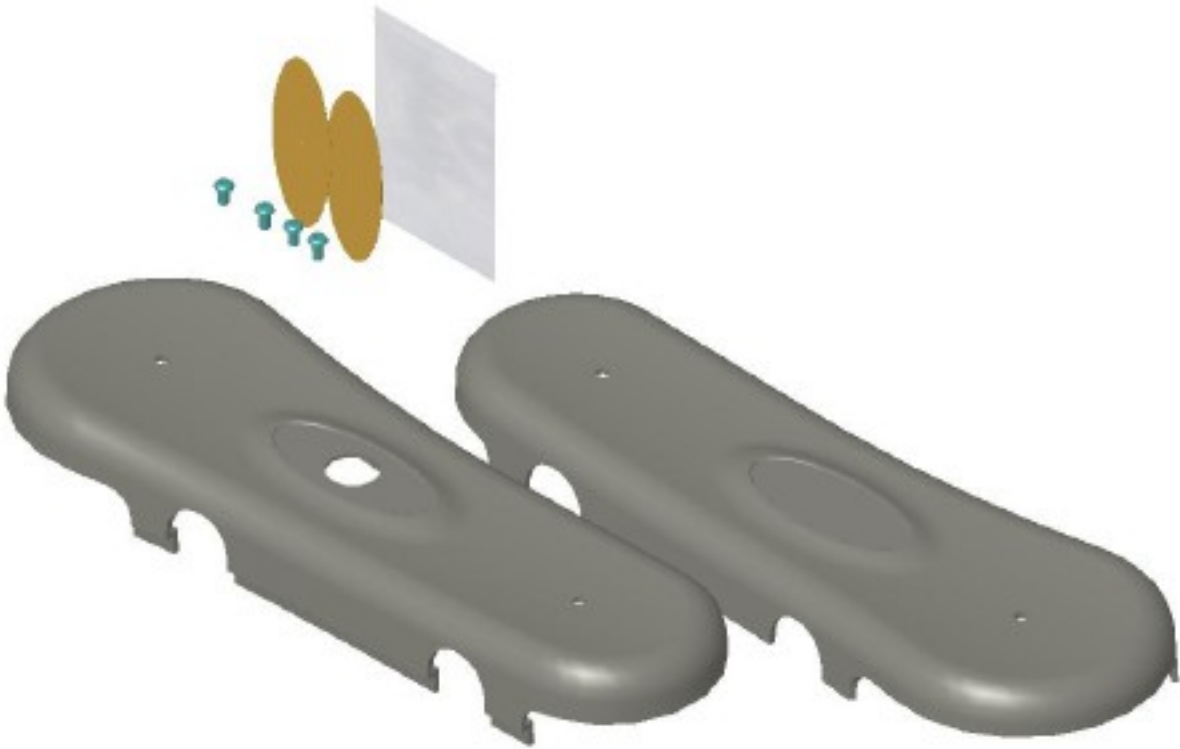
IV BAG HANGER, RIGHT
(304840-00)



CO2 BOTTLE HOLDER KIT (002334-00)

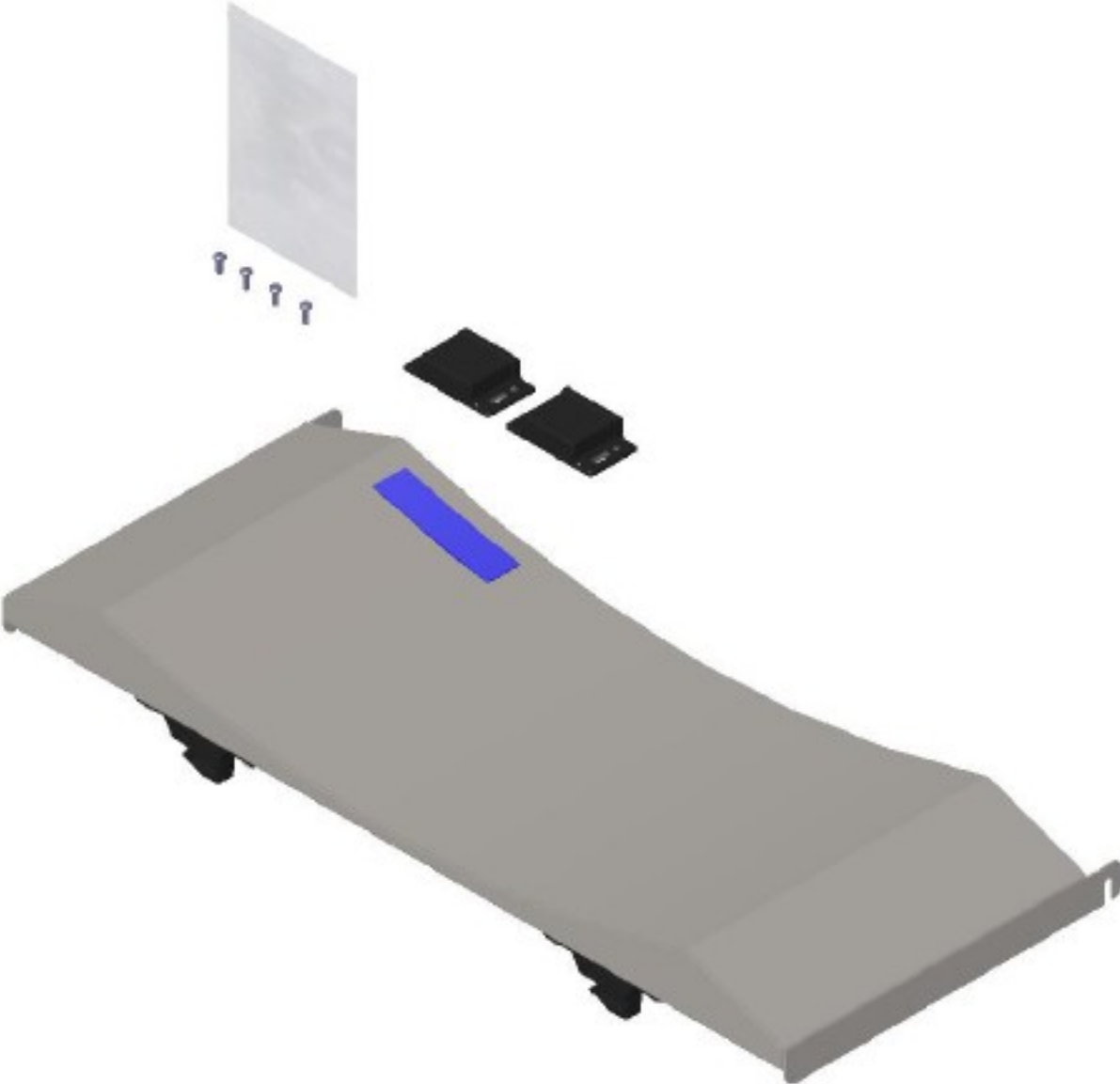


**BOOM COVER REPLACEMENT KIT
(002338-00)**

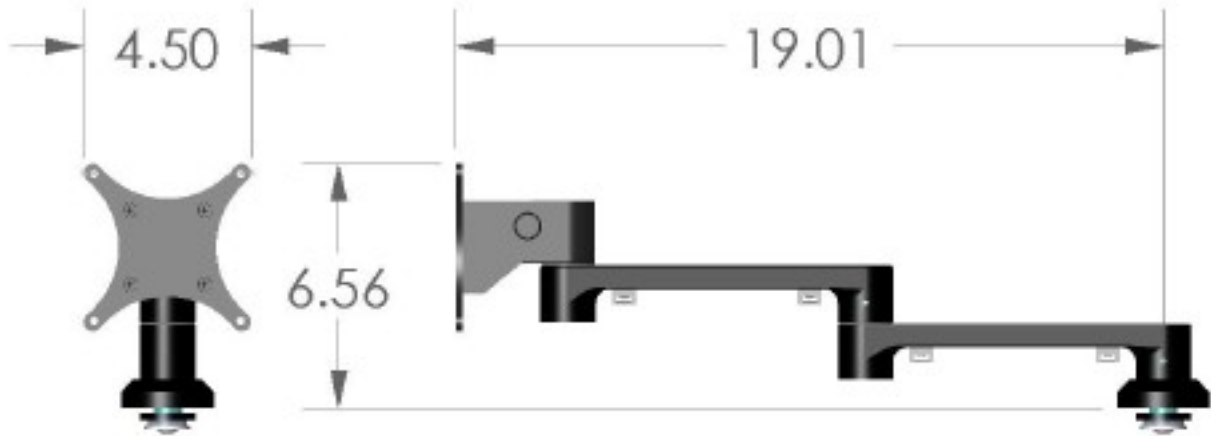


(Used only with 303778-06 Boom Arm)

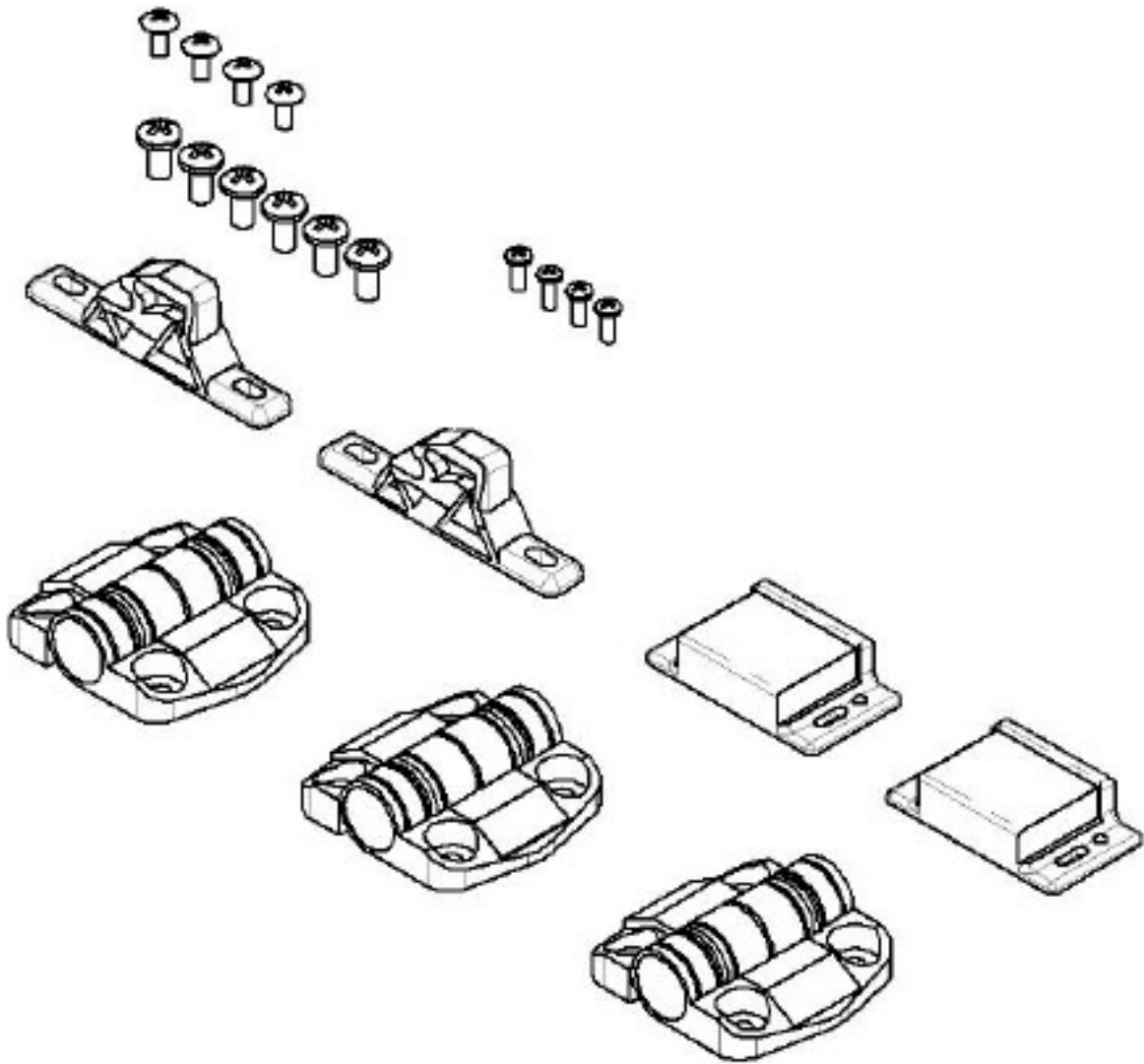
**FRONT COVER REPLACEMENT KIT
(002339-00)**



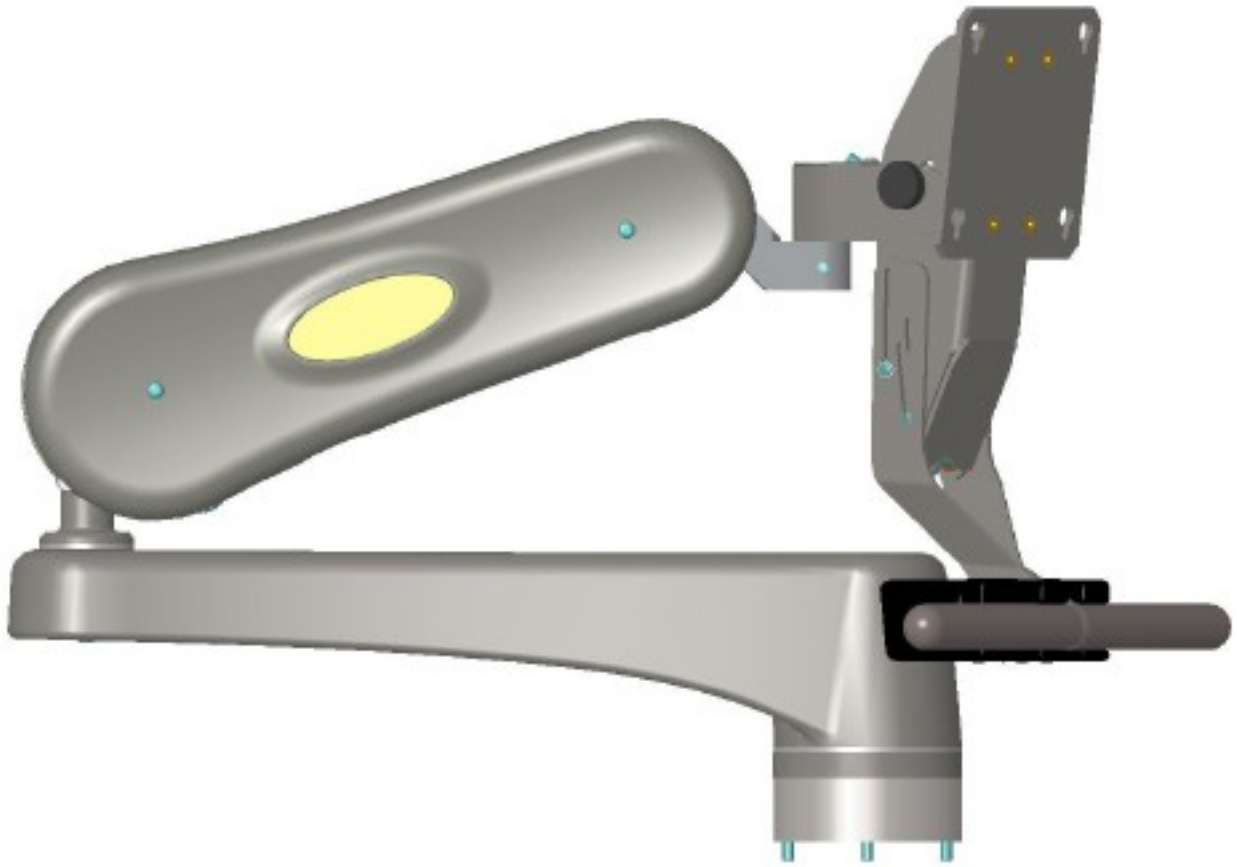
SECONDARY ARM
(305034-00)



REAR DOOR HARDWARE KIT (304842-00)



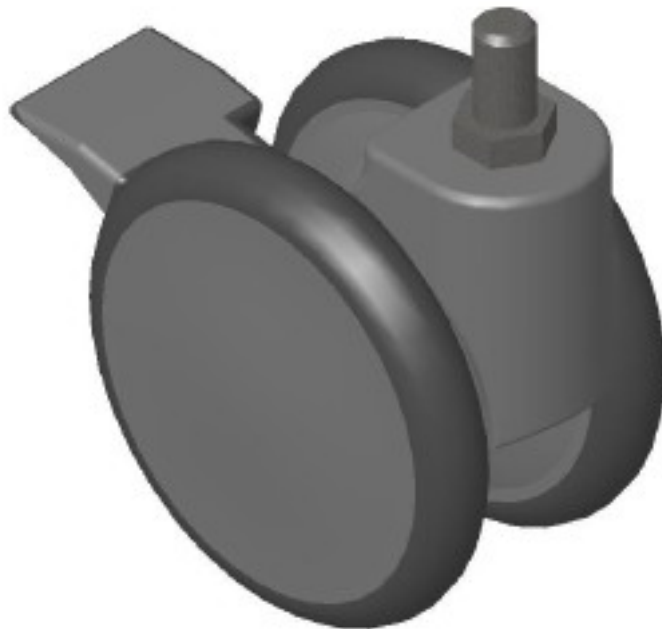
GSP BOOM ARM
(303778-06)



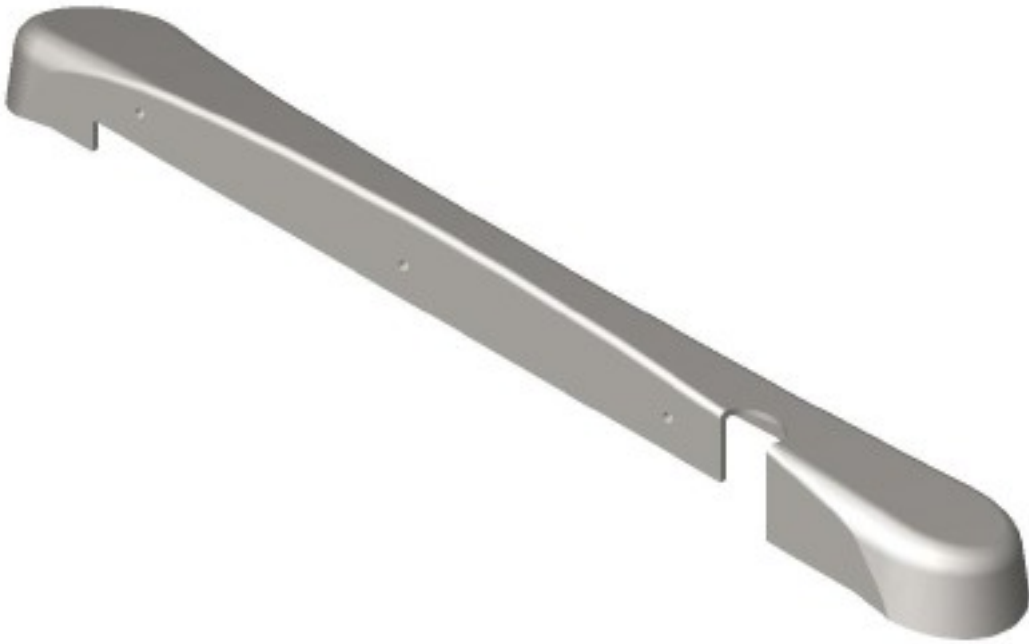
CASTERS
(702196-15)



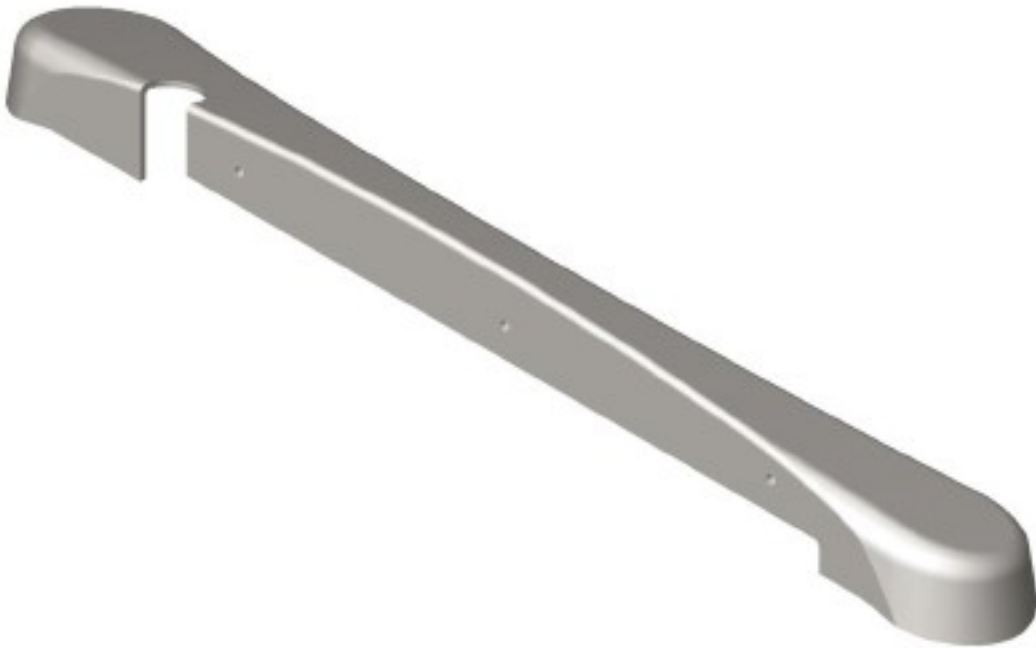
CASTERS, LOCKING
(702197-15)



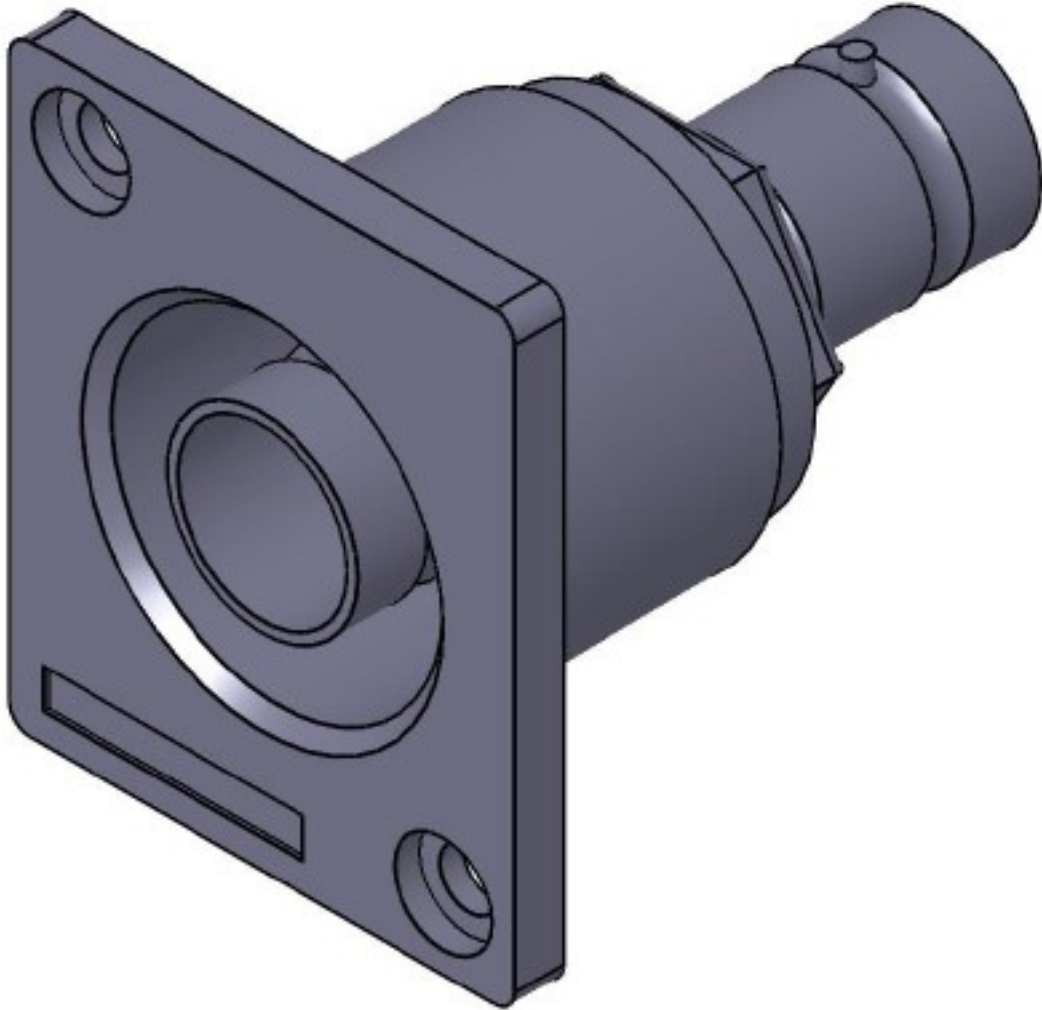
WINGLET, RH
(504860-00)



WINGLET, LH
(504861-00)



BNC CONNECTOR
(702120-30)



BOOM ARM
(304856-03)



HOME POSITION BRACKET
(304871-00)



TOP



ISOMETRIC



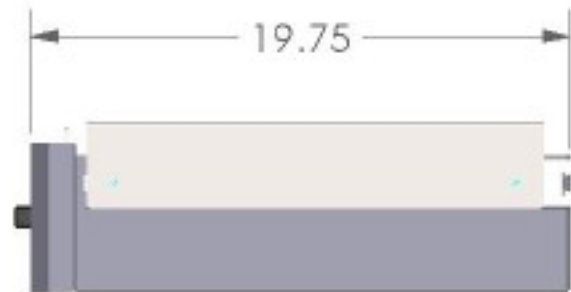
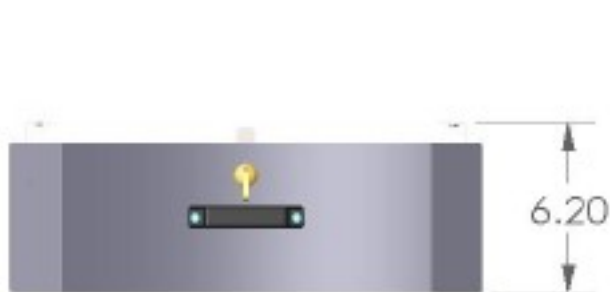
FRONT



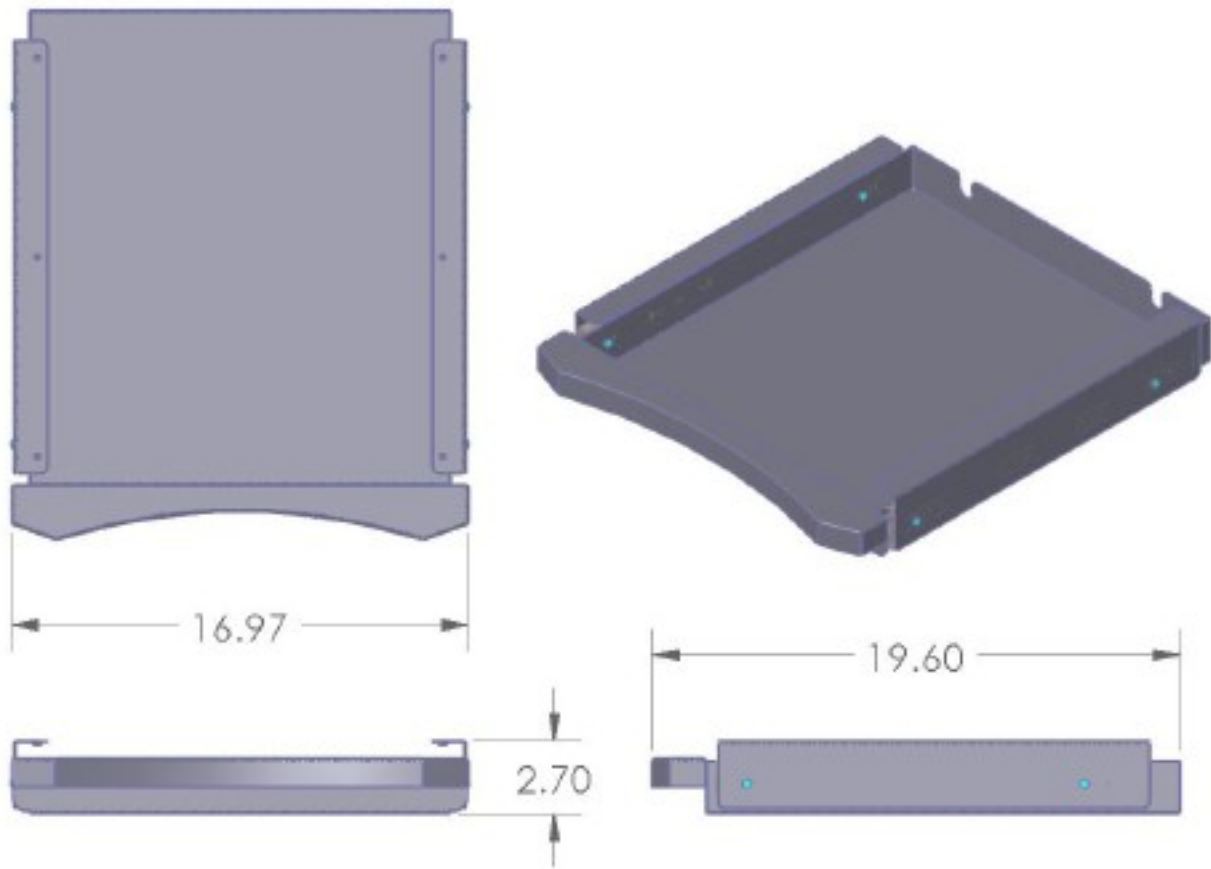
SIDE

For use with 304856-03 Boom Arm

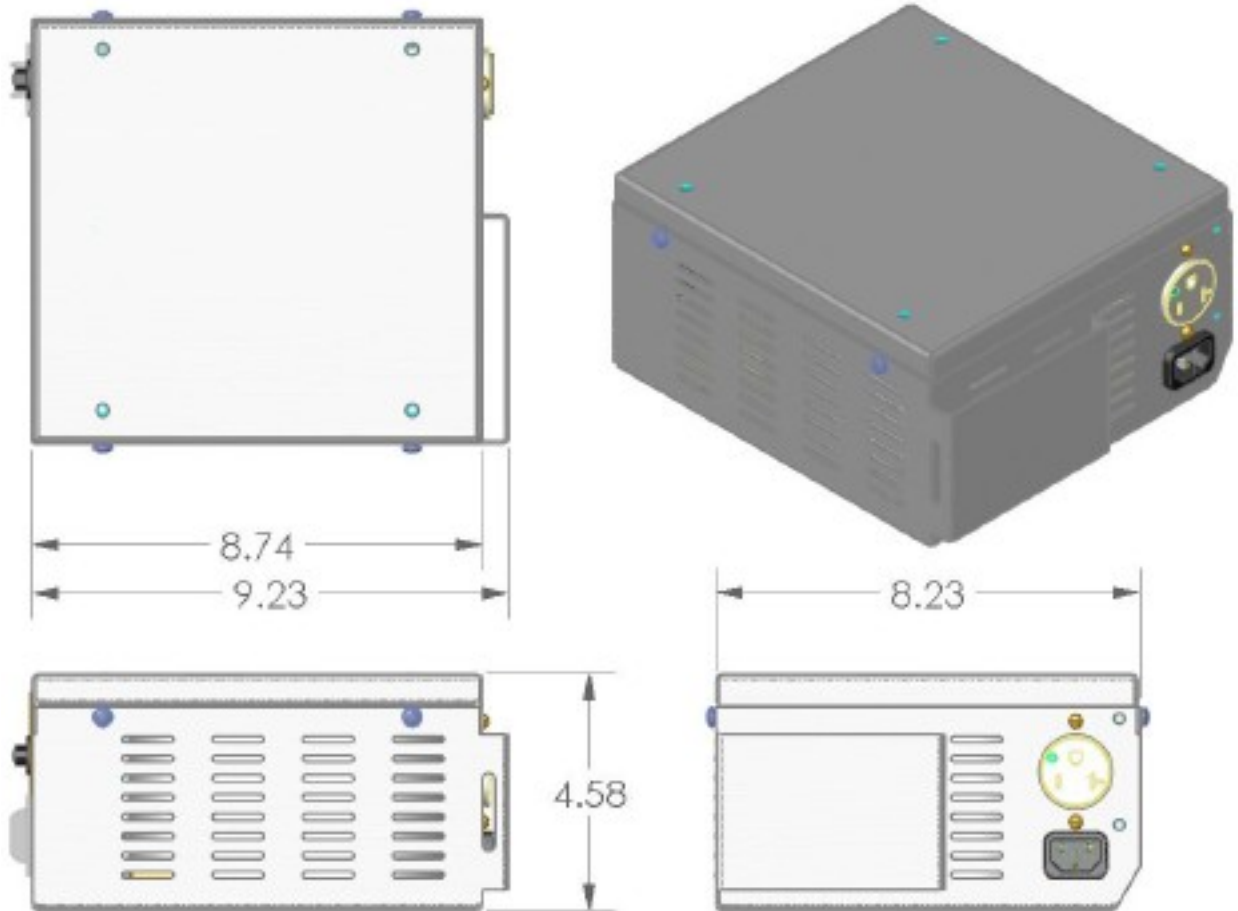
DRAWER W/O SHELF
(303914-00)



KEYBOARD TRAY W/O SHELF
(303924-00)



TRANSFORMER DOMESTIC, 120 VAC
(002305-00)



**MONITOR ARM HANDLE KIT
(002340-00)**



LOGO
(505050-00)



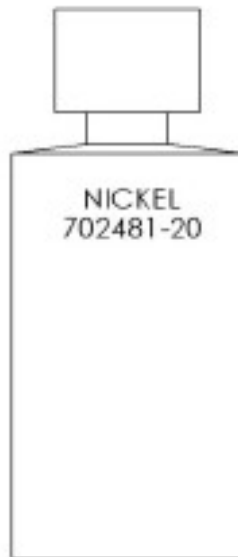
LOGO, FRONT
(505051-00)



TOUCH-UP PAINT GRAY
(702465-20)



TOUCH-UP PAINT NICKEL
(702481-20)



**CABLE KIT
(304373-00)**

ITEM #	PART #	DESCRIPTION	QTY.
1	700039-60	BAG, RECLOSABLE, 12" x 14", 2 MIL	1
2	703021-30	DVI SINGLE LINK CABLE, 10'	2
3	703024-30	BNC TO BNC, 12'	1

REAR HANDLE WELDMENT
(303833-01)

