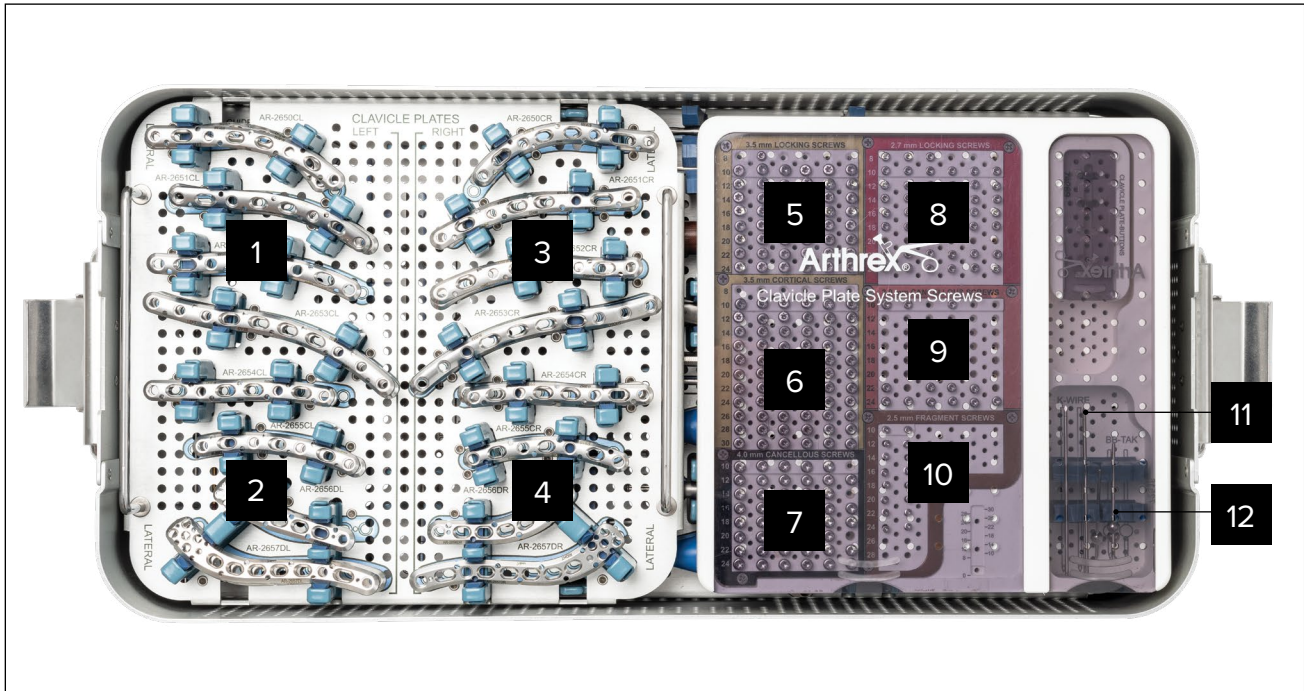
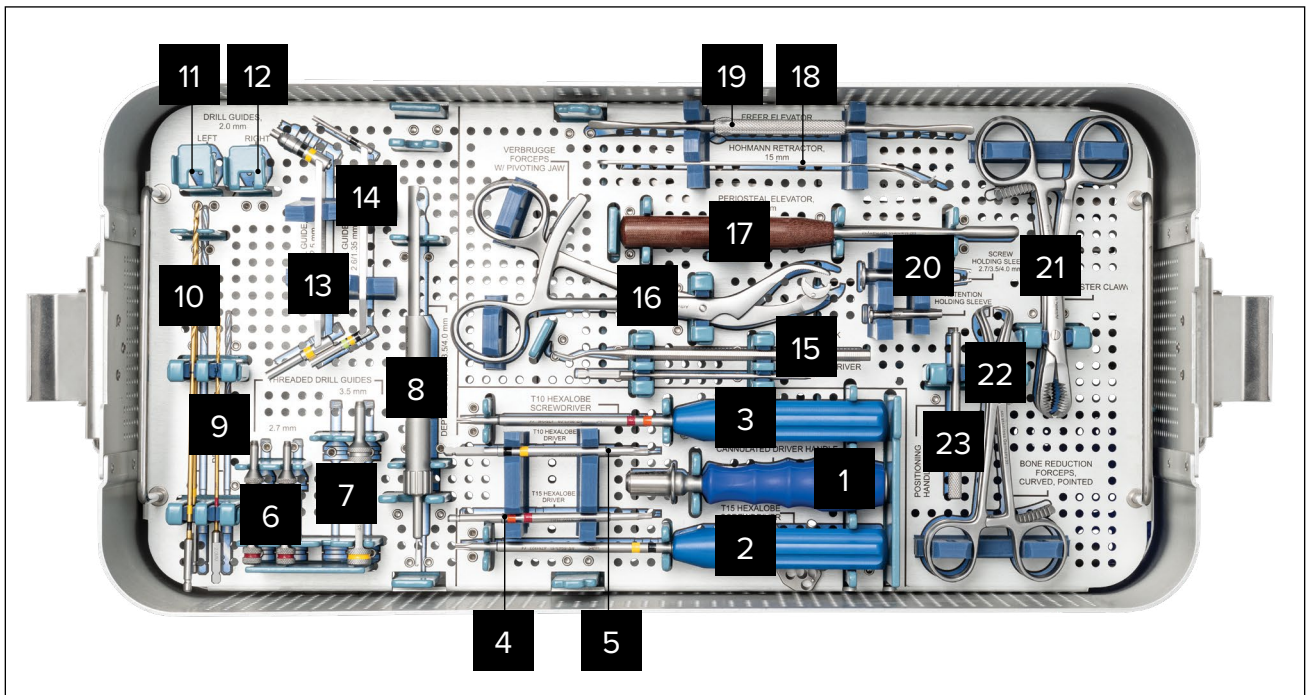


Clavicle Plate System

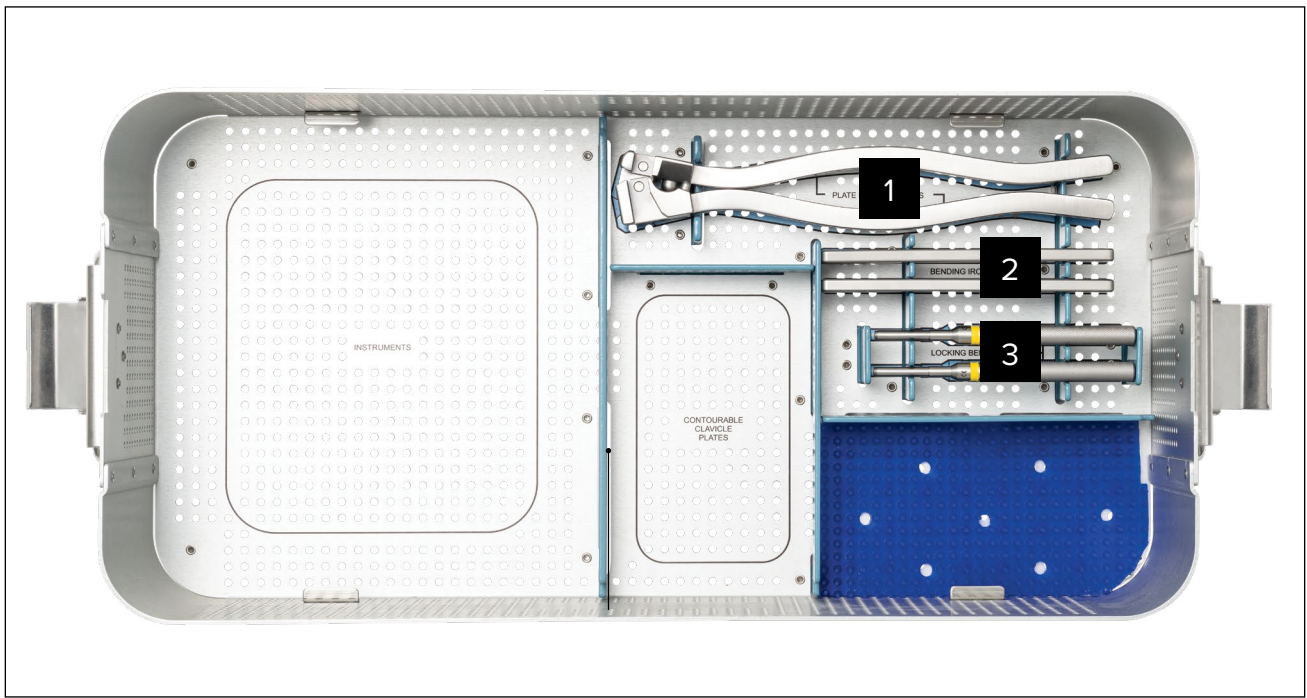
AR-2650S



Pic.	Item Number	Qty.	Description
1	AR-265X CL		Left Midshaft Plates
2	AR-26XX DL		Left Distal Plates
3	AR-265X CR		Right Midshaft Plates
4	AR-26XX DR		Right Distal Plates
5	AR-8835L-XX		Locking Screws, 3.5 mm (8 mm-24 mm × 2s)
6	AR-8835-XX		Cortical Screws, 3.5 mm (8 mm-30 mm × 2s)
7	AR-8840-XX		Cancellous Screws, 4.0 mm (10 mm-24 mm)
8	AR-8827L-XX		Locking Screws, 2.7 mm (10 mm-24 mm × 2s)
9	AR-8830-XX		Cortical Screws, 3.0 mm (10 mm-24 mm × 2s)
10	AR-2665-XXH		Fragment Screws, 2.5 mm (10 mm-24 mm × 2s)
11	AR-2663		K-Wire
12	AR-13226		BB-Taks



Pic.	Item Number	Qty.	Description
1	AR-13221AOC		Driver Handle w/ AO Connection, cannulated
2	AR-8943-10		Driver, T15 hexalobe
3	AR-8943-08		Driver, T10 hexalobe
4	AR-2665-T10		Drive Shaft, T10 hexalobe, solid
5	AR-2665-T15		Drive Shaft, T15 hexalobe, long
6	AR-8943-17		Drill Guide, threaded, low-profile, 2.7 mm
7	AR-8943-26		Drill Guide, threaded, low-profile, 3.5 mm
8	AR-8943-15		Depth Device, low-profile, 2.7 mm/3.5 mm/4.0 mm
9	AR-2669		Drill, 2.7 mm Distal Locking Screws
10	AR-8943-13		Drill Bit, calibrated, 2.5 mm
11	AR-2664L		Drill/Screw Guide, distal clavicle plate, left
12	AR-2664R		Drill/Screw Guide, distal clavicle plate, right
13	AR-8943-14		Drill Guide, 3.5 mm/2.5 mm
14	AR-8943-03		Drill Guide, 2.6 mm/1.35 mm
15	AR-8943-21		Sharp Hook
16	AR-2662		Verbrugge Forceps w/ Pivoting Jaw
17	AR-8943-20		Periosteal Elevator, curved blade, 6 mm
18	AR-8943-22		Hohmann Retractor, 15 mm
19	AR-8943-19		Freer Elevator
20	AR-8943-11		Holding Sleeve for 2.7 mm, 3.5 mm, and 4.0 mm Screws
21	AR-8943-23		Lobster Claw
22	AR-8943-07		Bone Reduction Forceps, curved, pointed
23	AR-2659		Positioning Handle, distal clavicle



Pic.	Item Number	Qty.	Description
1	AR-2660		Plate Bending Pliers
2	AR-8943-18		Bending Iron, plate
3	AR-8954-07		Locking Bending Guide, 3.5 mm

Date of Surgery:

Surgeon Name:

Account:

Representative Contact Information:

Set Total:

Miscellaneous Notes:

To obtain a copy of a product's directions for use (DFU), which includes sterilization instructions, please visit our website at www.arthrex.com/edfu or contact your local representative.

www.arthrex.com

© 2019 Arthrex, Inc. All rights reserved.

