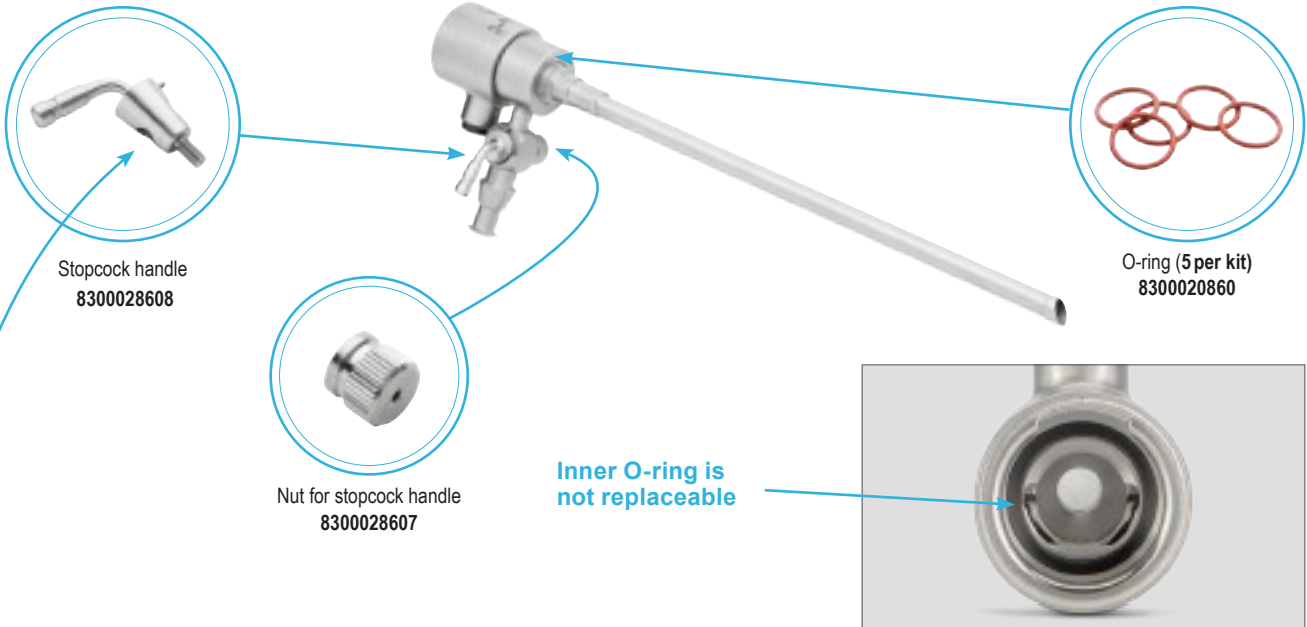


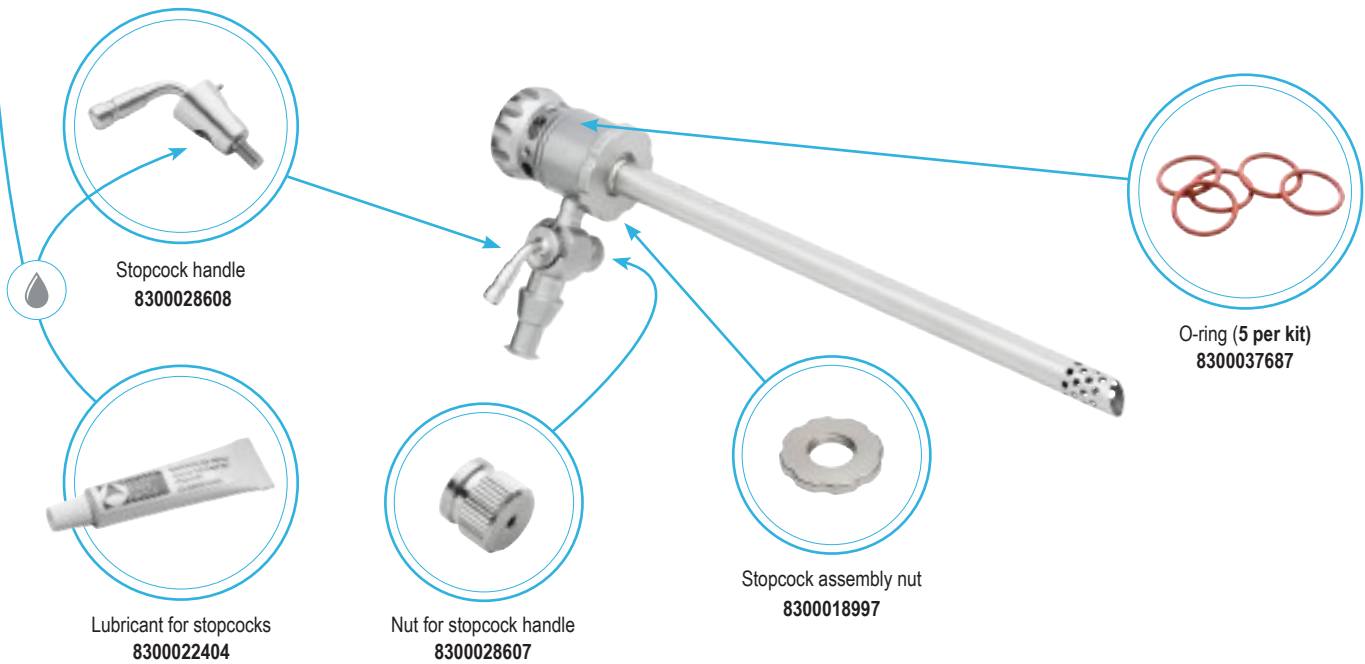
Spare and Replacement Parts for Synergy Inflow / Outflow Sheath Systems

Quick Guide

Inner Sheath: AR-3370-X003A* | X=3/4



Outer Sheath: AR-3370-X003B* | X=3/4



* For further information on our item numbers, please refer to the product catalog.